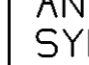
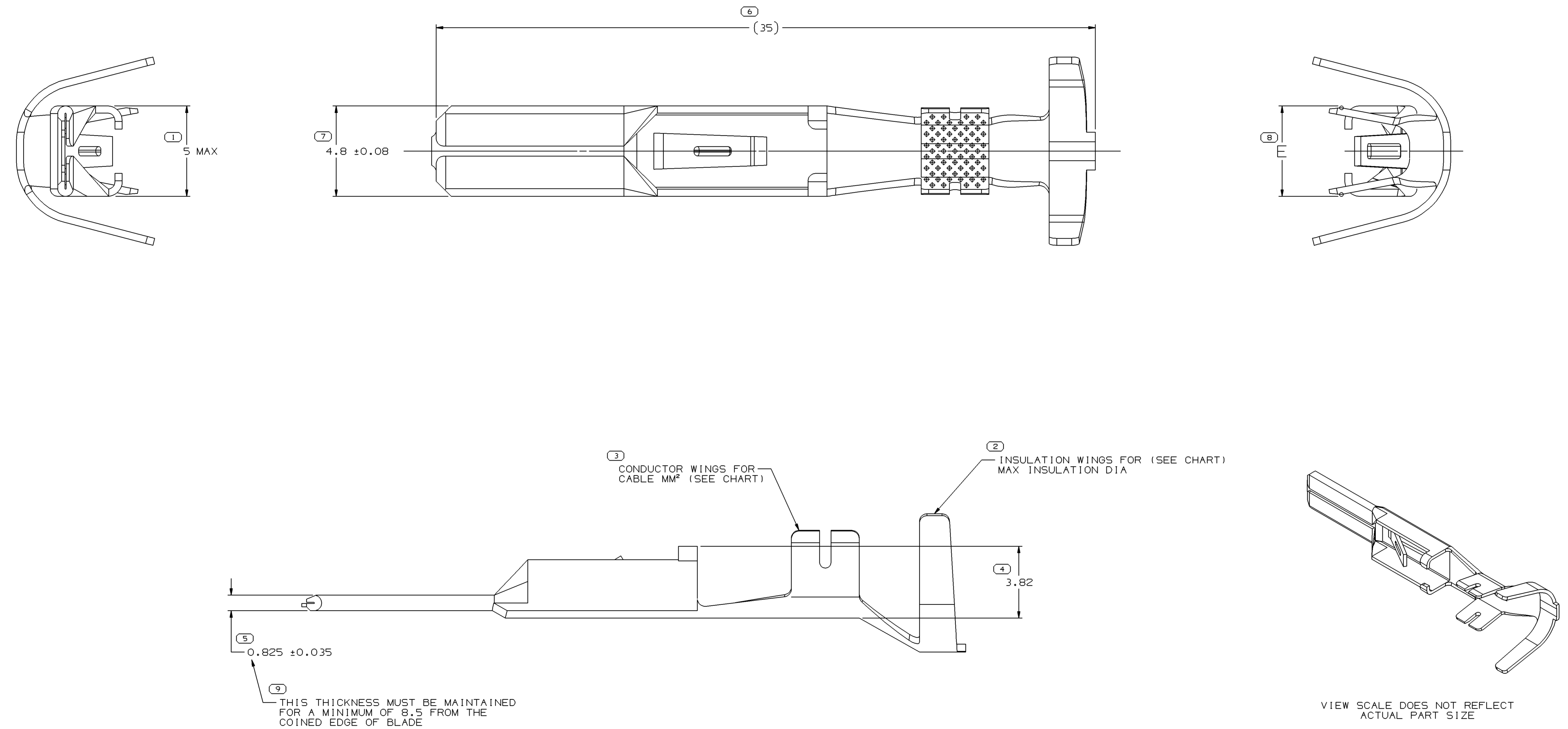


SYMBOL DEFINITION		MISSING NUMBERS	
A DIMENSION WITHOUT AN INSPECTION REPORT SYMBOL  DOES NOT REQUIRE INSPECTION. IT MAY BE CONTROLLED ON AN INDIVIDUAL COMPONENT DRAWING.	TOTAL NO. OF SYMBOLS ON DRAWING	9	
	LAST NO. USED	9	

DWO STATUS				REVISION HISTORY				AUTH	DR	APVD	APVD
DATE	STG	REV	N/P	CHG	ZONE						
23JAO2	R	02	-	-		ALL PARTS - UPDATED PDM ATTRIBUTES	219908	JYD	EAR	JH	
29JUL02	R	03	-	-		ALL PARTS - UPDATED PDM ATTRIBUTES	228503	EAR	EAR	JH	M
04MY04	R	04	-	-		ALL PARTS - ADDED NOTE #3	254242	JBD	JAA	JBD	



- NOTES
- UNLESS OTHERWISE SPECIFIED AND/OR INDICATED: DIMENSIONS ARE TO FACE OF VIEW SHOWN AND AUTOMATICALLY ROUNDED BY COMPUTER FOR INSPECTION (SEE MATH MODEL FOR PRECISE DIMENSIONS). FOR ALL OTHER DIMENSIONS NOT SHOWN BUT REQUIRED FOR TOOL BUILD, SEE MATH MODEL FOR PRECISE TOOL PATH DATA.
  - MATING TERMINAL 12052139 OR EQUIVALENT.
  - CUT OFF TAB DIMENSION FROM TIP OF TERMINAL TO BE 0.25mm MAX. WITH NO BURR PERMISSIBLE.

DWO TYPE		PART DRAWING	
STYLE		DISTR CODE	D
VOLUME (CM³)		ROUTING	6900

UNLESS OTHERWISE SPECIFIED  
THIS DOCUMENT IS IN ACCORDANCE WITH ASME Y14.5M-1994 AS AMENDED BY THE 2003 DIMENSIONING AND TOLERANCING ADDENDUM - 1997. ALL GEOMETRIC TOLERANCES AND RELATED DATUM APPLY TO ALL DIMENSIONS UNLESS OTHERWISE SPECIFIED. DIMENSIONS ARE TO FACE UNLESS OTHERWISE SPECIFIED. SEPARATE POSITION DIMENSIONS MAY BE OBTAINED SEPARATELY. ALL DIMENSIONS ARE IN MILLIMETERS.

**DELPHI**  
DELPHI PACKARD ELECTRIC SYSTEMS  
WARREN, OH

DR	DATE
APVD1 JOSE HERNANDEZ	03FE99
APVD2 JOSE HUERTA	19FE99
APVD3 JOSE HUERTA	19FE99
APVD4	
APVD5	

MATERIAL: SUBSTANCES OF CONCERN AND RECYCLED CONTENT PER DELPHI 10949001

SEE CHART

DRAWING NAME: TAXI TERM M/P 480

DRAWING NUMBER: 12052171

SIZE: AO SCALE: 10:1 FRAME NO: 1 OF 1 SHEET NO: 1 OF 1 STG REV: N/P

PART NO	STG	REV	N/P	STATUS	MAT'L SIZE	MAT'L SPEC	PART NO	STG	REV	N/P	STATUS	MAT'L SPEC	SIZE (MM²)	CABLE	ID	DIA	E <sub>10.4</sub>
				UNPLATED	0.381 X 44.45		12065197	R	D4			P-3607-413	3	12	4.9/3.57	4.6	
					0.381 X 44.45		12065196	R	D4			P-3607-413	2 - 1	15	3.58/2.56	3.7	
					0.381 X 44.45		12052172	R	G4			P-3607-413	5	10	5.24/3.49	4.6	