

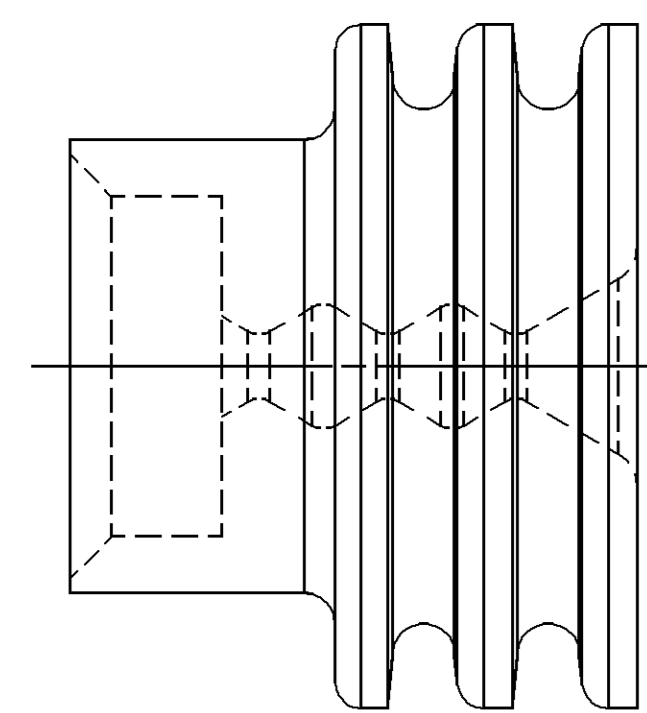
SEAL/MYLAR ASSEMBLY DETAIL

MYLAR STRIP (R0070933)
(MASTER SPEC R0069332)

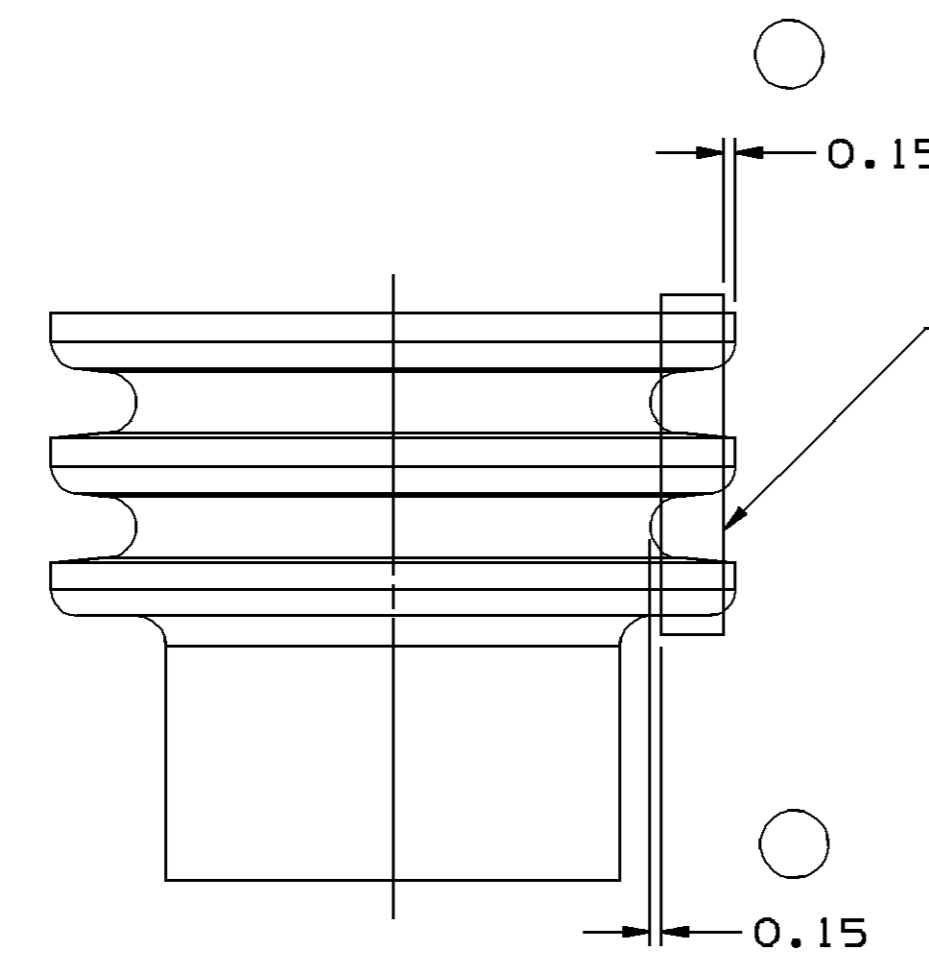
SEAL - SEE CHART

NOTES:

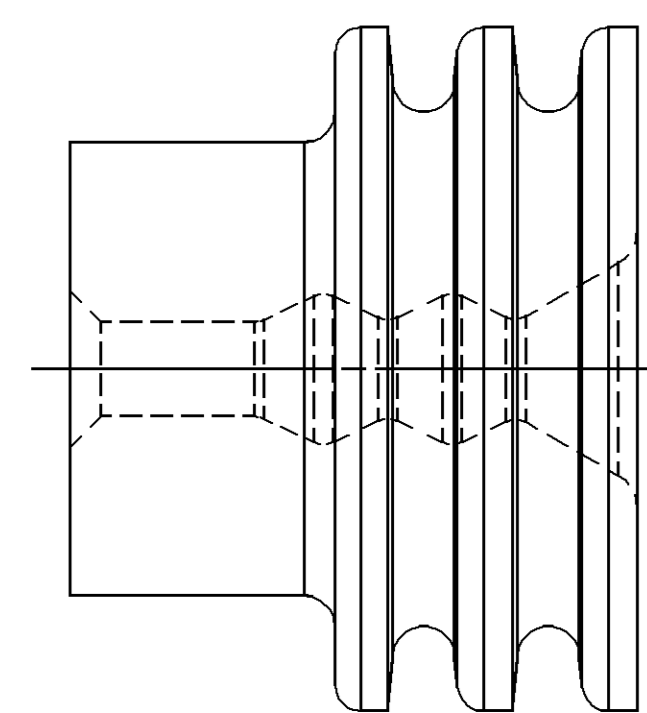
1. THE MYLAR TAPE IS ONLY A CARRIER USED AS A PROCESS AID AND IS NOT PART OF THE FINAL HARNESS ASSEMBLY.
2. WHEN PARTS ARE SHIPPED, THEY MUST BE PACKED IN PLASTIC BAGS OR SHIPPING CONTAINERS MUST BE LINED WITH PLASTIC LINERS. BAGS OR LINERS MUST BE SEALED TO AVOID ENTRY OF FOREIGN MATTER.



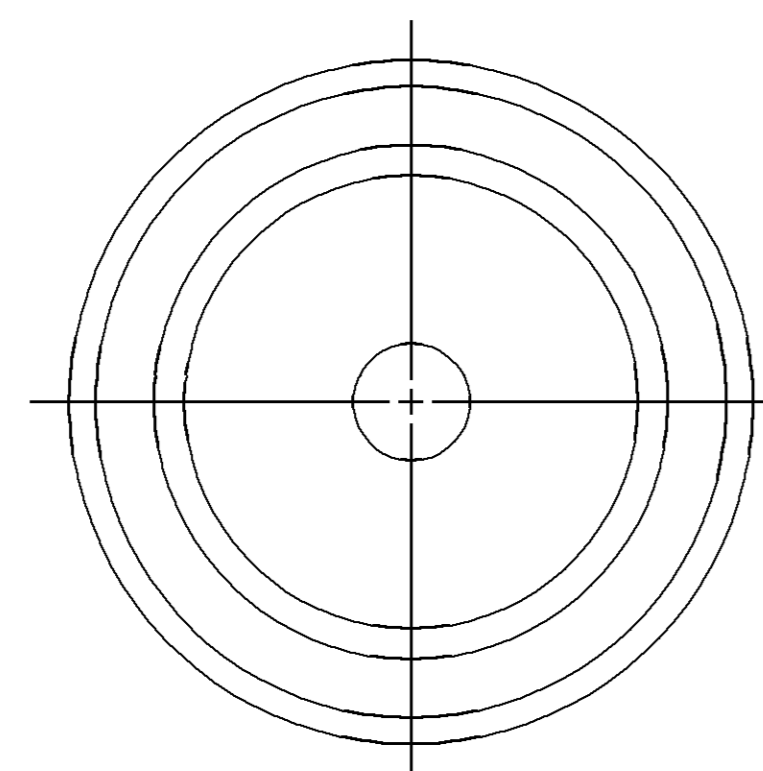
TYPE 202
SAME AS TYPE 201
EXCEPT AS SHOWN



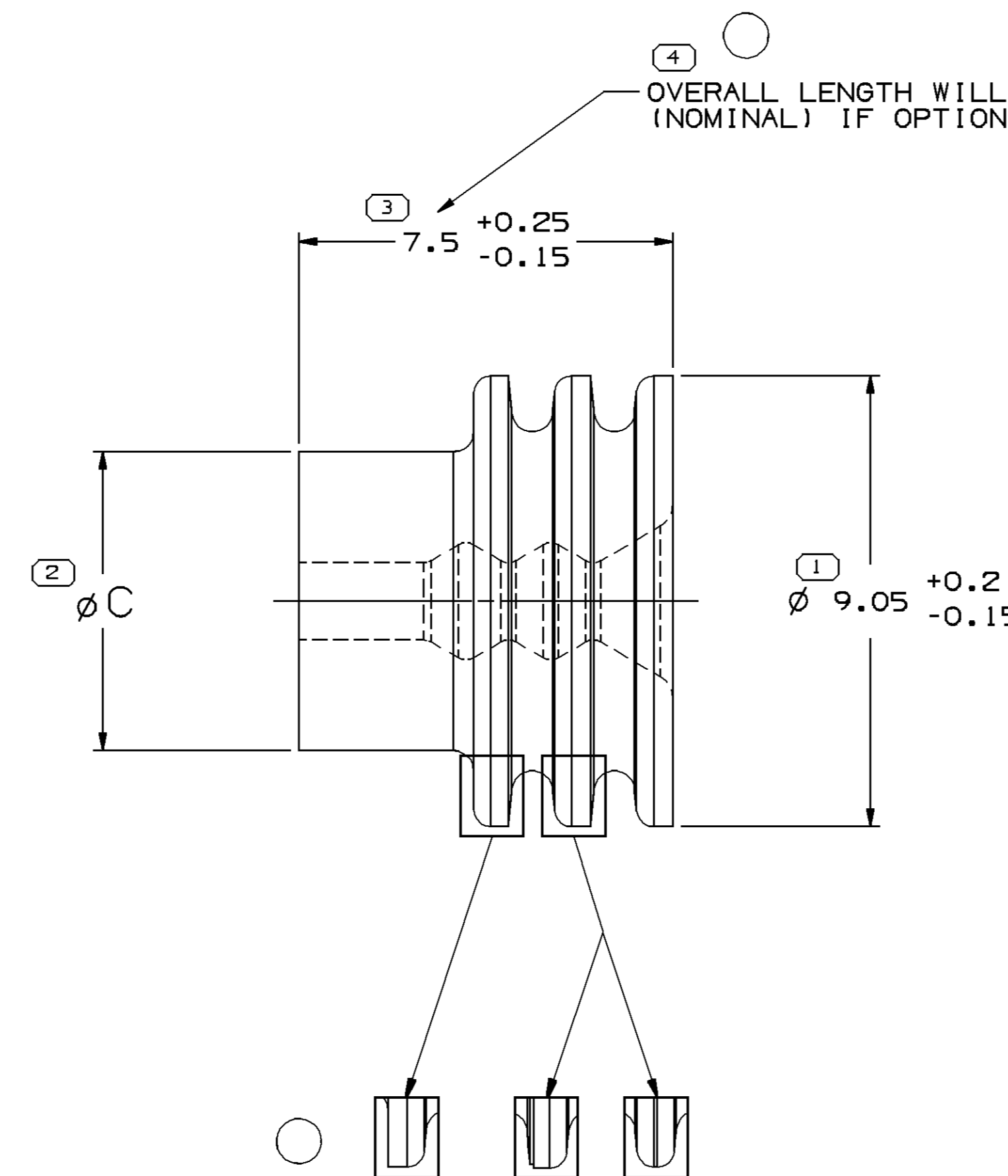
SEALING RIBS MUST BE FREE OF SINKS, VOIDS, KNIT LINES AND FLASH IN THE AREA SHOWN ALL AROUND PART.
SEE VPS A-121 FOR ADDITIONAL INFORMATION.



TYPE 203
SAME AS TYPE 201
EXCEPT AS SHOWN



TYPE 201



SEALING RIBS MAY DIFFER AS SHOWN

NOTES

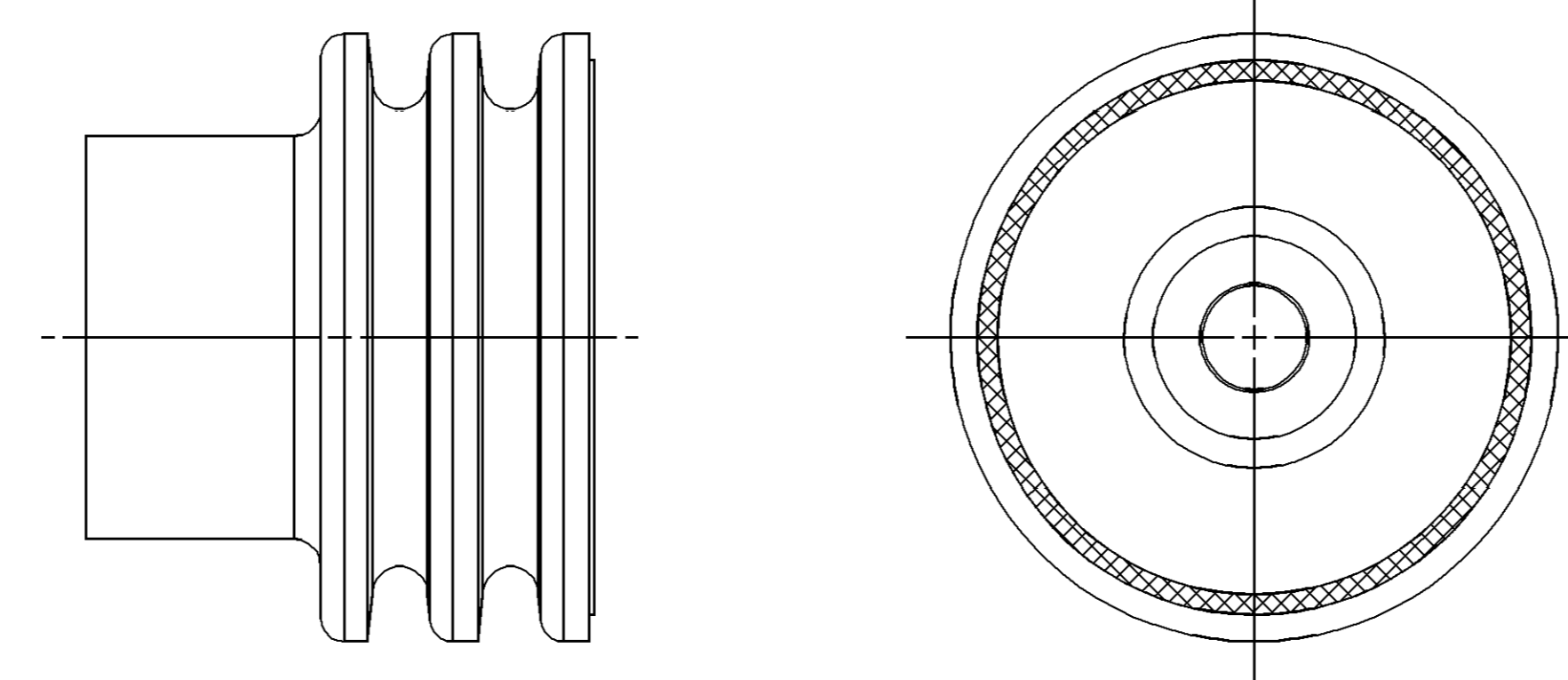
1. UNLESS OTHERWISE SPECIFIED AND/OR INDICATED: DIMENSIONS ARE TO FACE OF VIEW SHOWN AND AUTOMATICALLY ROUNDED BY COMPUTER FOR INSPECTION. (SEE MATH MODEL FOR PRECISE DIMENSIONS.) FOR ALL OTHER DIMENSIONS NOT SHOWN BUT REQUIRED FOR TOOL BUILD, SEE MATH MODEL FOR PRECISE TOOL PATH DATA.
2. PARTS ARE TO BE PACKAGED IN SEALED PLASTIC BAGS. GROSS WEIGHT INCLUDING CARTON IS NOT TO EXCEED 34 POUNDS.
3. *DESIGNED AS A PUSH ON SEAL. SEAL SLIDES OVER INSULATION WINGS. A TERMINAL CANNOT BE CRIMPED OVER THIS SEAL.
4. TO IMPROVE SEAL PROCESSING ON SLIPPERY OR SMOOTH CABLE INSULATION, THE APPLICATION ENGINEER MAY SURFACE THE NEXT SMALLER SEAL SIZE P.N. IN PLACE OF THE INDICATED SEAL FOR THE "CABLE O.D." LISTED IN THE CHART.
5. 12110210/12124843 CAN BE REPLACED BY ANY SEAL ON THIS PAGE IN CONJUNCTION WITH 12124471 OR 12124598 TERMINAL DEPENDING ON CABLE OD.

SYMBOL DEFINITION
A DIMENSION WITHOUT AN INSPECTION REPORT SYMBOL DOES NOT REQUIRE INSPECTION. IT MAY BE CONTROLLED ON THE INDIVIDUAL COMPONENT DRAWING.

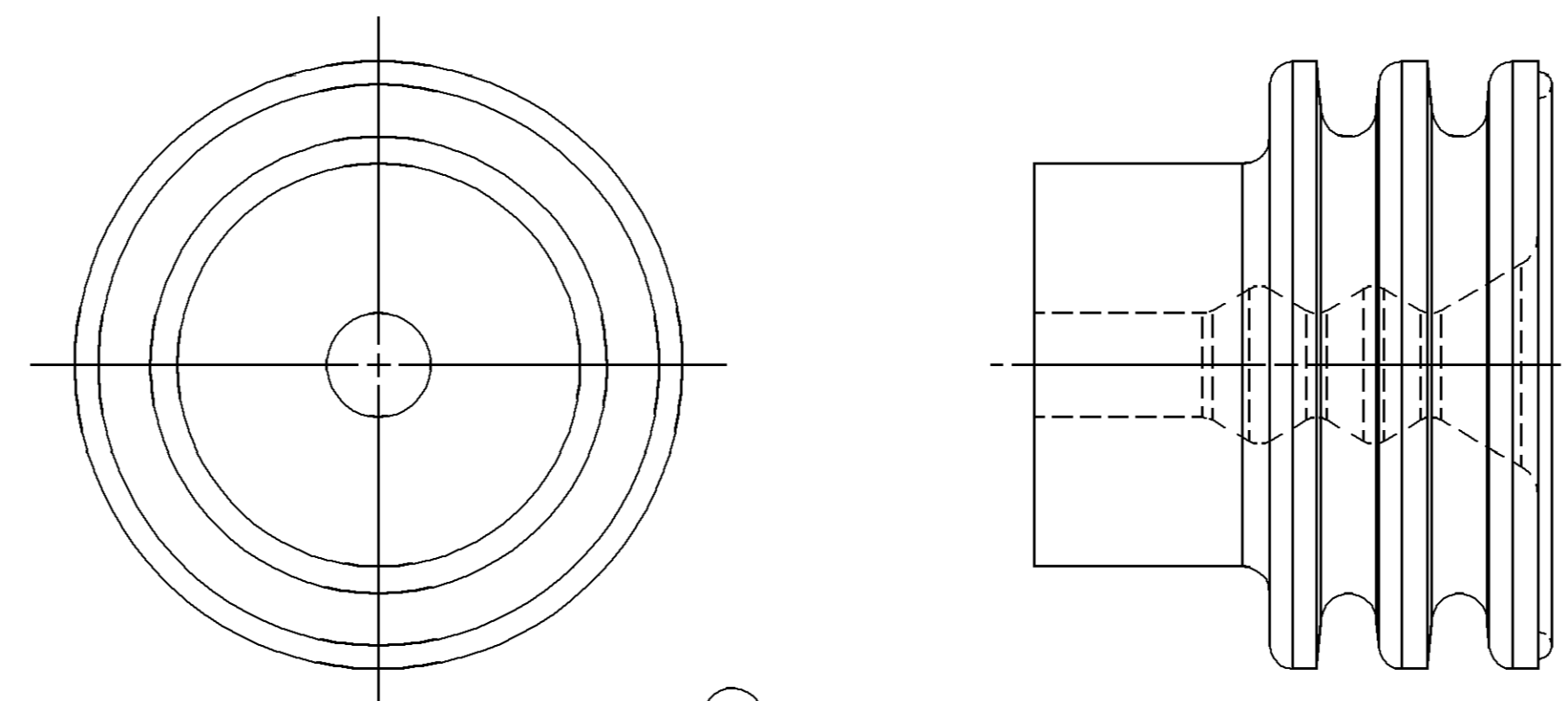
TOTAL NO OF INSPECTIONS REQUIRED	5
LAST NO. USED	5

MISSING SYMBOLS
NO MISSING SYMBOL NUMBER

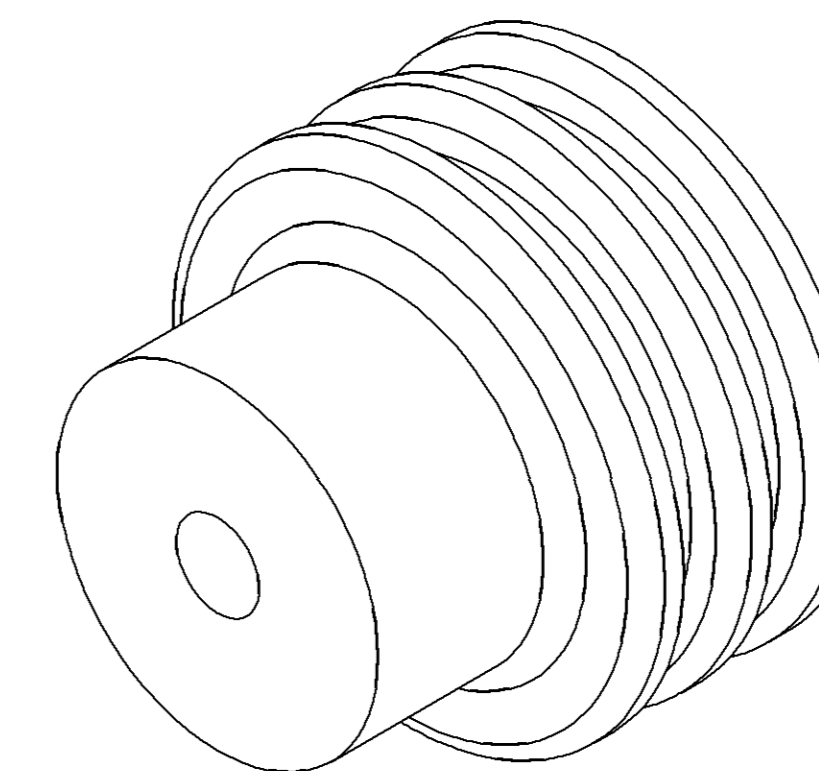
DATE	STG	REV	N/P	CHG	ZONE	REVISION HISTORY	AUTH	DR	APVD
30NOV99	R	001	-	-	-	ALL PARTS - REDRAWN TO PD: 15324987-92 RELEASED	990005	JLZ	EAR
07NOO0	R	002	-	-	-	15324987-92 - REVISED	202978	JLZ	EAR
15MR04	R	03	-	-	-	12052930, 12048441, 12048442 & 12048443 PER NIN EWO BGLTS: ALL PARTS - UPDATED MATERIAL SPECS	251701	RH	MR
17NOO4	-	04	-	-	-	12048441 THRU 12048443 & 12052930 - REVISED DRAWING CHART	261371	JS	JS
01FEO5	R	05	-	-	-	REVISED TOLERANCE	263812	MM	MM
09MR06	R	06	-	-	-	15324987-92 - UPDATED PDM ATTRIBUTES	276506	JBD	AUG
26MY06	R	07	-	-	-	REMOVED TYPES 204, 205 & 206 AND OPTIONAL CONSTRUCTION VIEWS: ALL ACTIVE PARTS - 7.5 +0.25/-0.15 WAS 7.5 ± 0.15, 9.05 +0.2/-0.15 WAS 9.05 ± 0.15; 12048433, 12052452-53, 12052931, 12065703, 12162068, 12048441-43, 12052930, 12034170 & 12162067 - RESTRICTED; 15324987-90 & 15324991-92 - WERE TYPE 204 & 206, UPDATED MAT'L SPEC AND ADDED ALTERNATE MAT'L SPEC	281070	JPH	JVM
17AU06	R	08	-	-	-	15324992 - OBSOLETE	283517	CCV	AUG
03OC06	R	09	-	-	-	ALL ACTIVE PARTS - ADDED SEALING RIBS LABEL, OVERALL LENGTH LABEL, SEALING RIBS VIEWS & NOTE, ANTI-STICK RING OPTIONAL CONSTRUCTION VIEWS AND DIMS (2 PLCS); 12162067-68 - WERE RESTRICTED	285210	JBD	FRG



OPTIONAL CONSTRUCTION 1
(ANTI-STICK RING)



OPTIONAL CONSTRUCTION 2
THIS IS THE PREFERRED CONSTRUCTION FOR NEW TOOL BUILDS
(ANTI-STICK RING)



REV	REV N/P	STATUS	PART NO	REV	REV N/P	STATUS	MATERIAL SPECIFICATION	COLOR (REF ONLY)	ALTERNATE MATERIAL SPECIFICATION	TYPE	CABLE O.D. ± 0.05	CAVITY ID	EQUIVALENT CABLE SEAL
			15324992	01	AE	OBSOLETE	M3469004	RED	M3466004	203	1.7-1.29	6	8.5
			15324991	01	AE		M3469006	YEL	M3466006	203	2.15-1.6	6	8.5
			15324990	01	AE		M3469039	PPL	M3466039	201	4.5-3.61	6	8.5
			15324989	01	AE		M3469004	RED	M3466004	201	3.76-2.81	6	8.5
			15324988	01	AE		M3469011	WHT	M3466011	201	2.85-2.01	6	8.5
			15324987	01	AE		M3469005	ORN	M3466005	201	5.16-4.4	6.5	8.5
			12162067	A7	-		M2261013	PNK	-	203	1.7-1.29	6	8.5
			12124843	A1	-	OBSOLETE	M2261001	GRN	-	202	2.12-1.67	6.5	8.5
			12065703	A4	-	RESTRICTED	M2261005	ORN	-	201	5.16-4.4	6.5	8.5
			12052931	A4	-	RESTRICTED	M3471006	YEL	M2261006	203	2.15-1.6	6	8.5
			12052453	A4	-	RESTRICTED	M2261008	BLU	-	201	4.21-3.5	6.5	8.5
			12052452	A4	-	RESTRICTED	M3471039	PPL	M2261009	201	4.5-3.61	6	8.5
			12048433	A4	-	RESTRICTED	M3471004	RED	M2261004	201	3.76-2.81	6	8.5
			12048433	A4	-	RESTRICTED	M3471011	WHT	M2261011	201	2.85-2.01	6	8.5

PART DRAWING	
STYLE	D
VOLUME (OF)	
DISTR CODE	
UNLESS OTHERWISE SPECIFIED	
DIMENSIONS ARE IN MILLIMETERS	
ALL DIMENSIONS ARE IN MILLIMETERS	
THIRD ANGLE PROJECTION	
DO NOT SCALE	
USE MATH DATA	

DELPHI
DELPHI PACKARD ELECTRIC SYSTEMS
WVREN, OH

DR	DATE
APV01 J. HOUGELMAN	13JAB9
APV02 T. MUDREY	26JAB9
APV03 A. HERMANN	31JAB9
APV04	
APV05	

SUBSTANCES OF CONCERN AND RECYCLED CONTENT PER DELPHI 10949001

DRAWING NAME
TAXI SEAL CBL IW M/P

DRAWING NUMBER
12010295

SIZE A0 SCALE 10:1 FRAME NO 1 OF 2 SHEET NO 2 OF 2 REV R 09