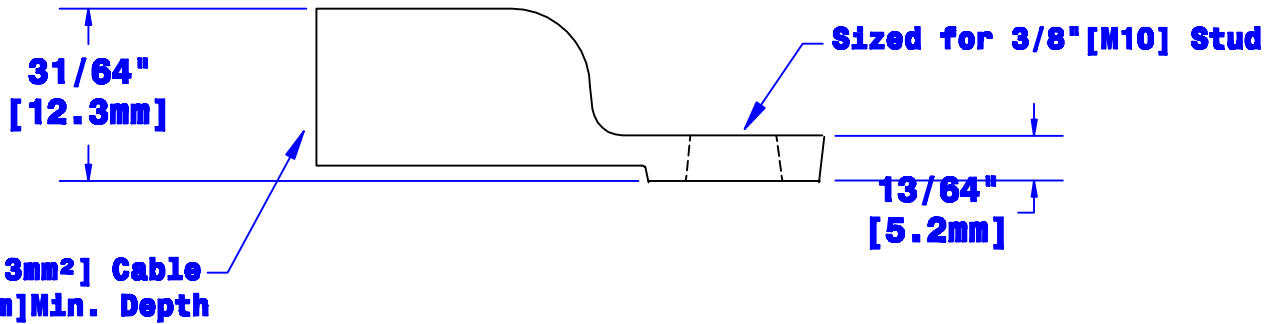
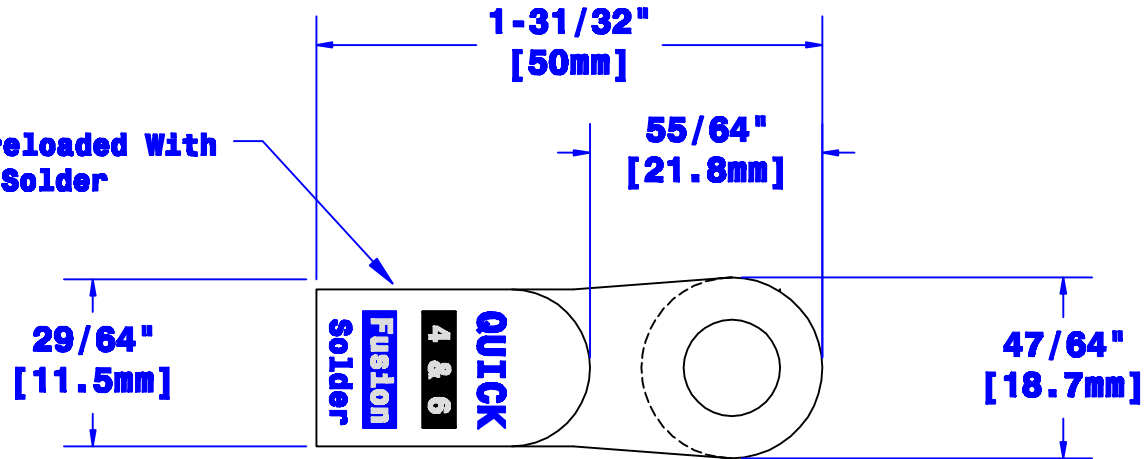


Barrel Preloaded With Flux and Solder



Sized for 4 & 6 Ga. [19-13mm<sup>2</sup>] Cable  
3/4" [19.1mm] Min. Depth

<b>Property of</b> <b>QUICK CABLE</b> 3700 Quick Dr. Franksville WI		<b>TITLE</b> Die Cast Lug, Fusion 488 Ga. for 3/8" Stud [19-13mm <sup>2</sup> ] [M10]	
		<b>PART #</b> <b>486304F</b>	
<b>Material &amp; Treatment</b> High Conductivity Copper Alloy Tin Plated		<b>Drawing #</b> <b>486304F-Info</b>	<b>REV</b> <b>A</b>
		Sheet 1 of 1	

Rev	Date	ECN#	By	Description	Drawn By	Date	Checked By	Scale
					Jim H	8-30-04	Mike E	None
					Tolerances, unless otherwise noted			
					Dimensions are reference only			
<b>A</b>	06-02-09	1044	JMH	Reverse taper on stud hole				