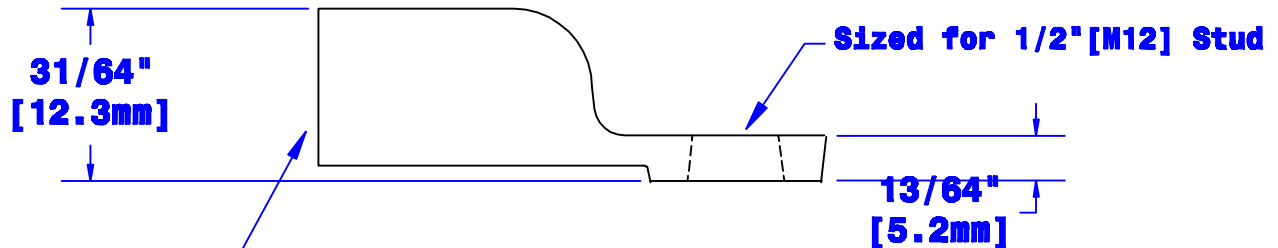
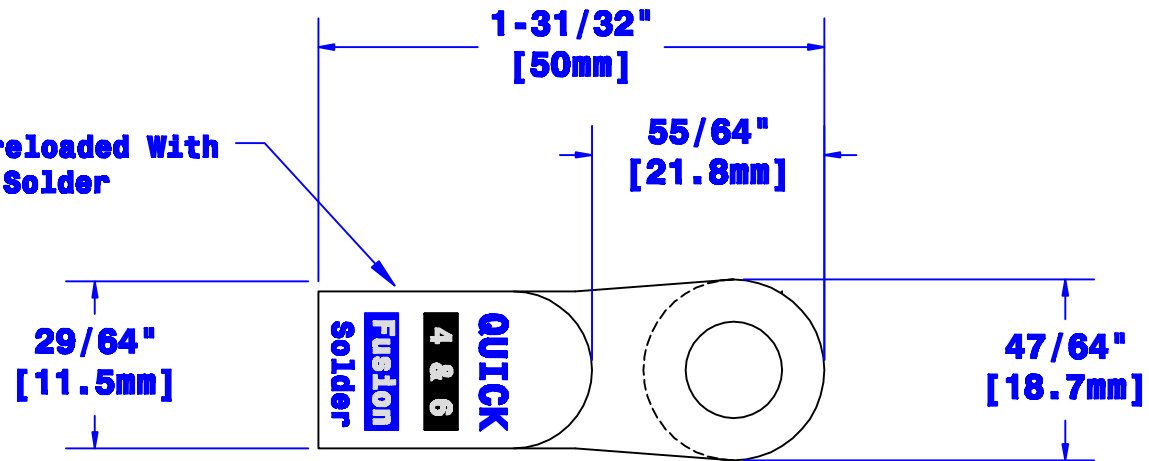


Barrel Preloaded With Flux and Solder



Sized for 4 & 6 Ga. [19-13mm<sup>2</sup>] Cable  
3/4" [19.1mm] Min. Depth

Property of <b>QUICK CABLE</b> 3700 Quick Dr. Franksville WI		TITLE Die Cast Lug, Fusion 486 Ga. for 3/8" Stud [19-13mm <sup>2</sup> ] [M12]	
		PART # <b>486304H</b>	
Material & Treatment High Conductivity Copper Alloy Tin Plated		Drawing #	REV
		<b>486304H-Info</b>	<b>A</b>
		Sheet 1	of 1

Drawn By	Date	Checked By	Scale
Jim H	8-30-04	Mike E	None
Tolerances, unless otherwise noted			
Dimensions are reference only			
Rev	Date	ECN#	By
A	08-02-09	1044	JMH
Description			
Reverse taper on stud hole			