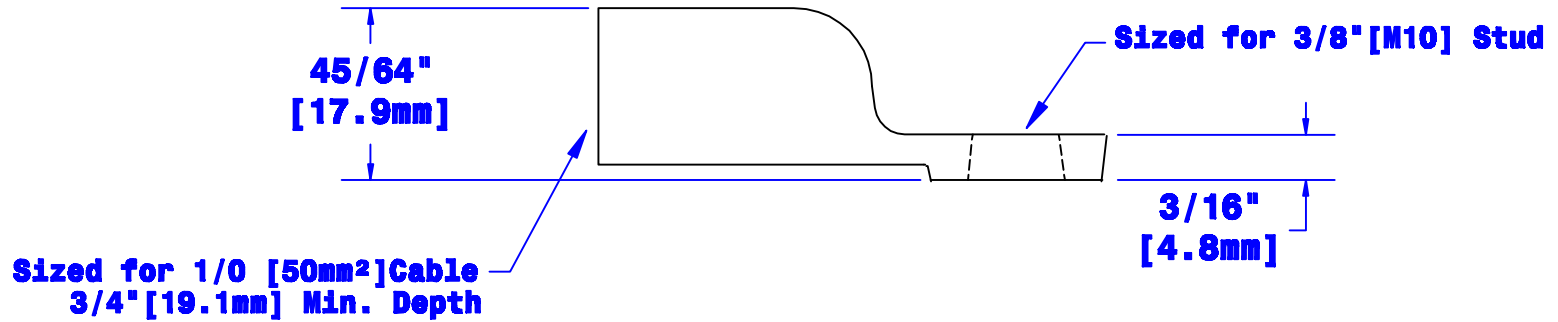
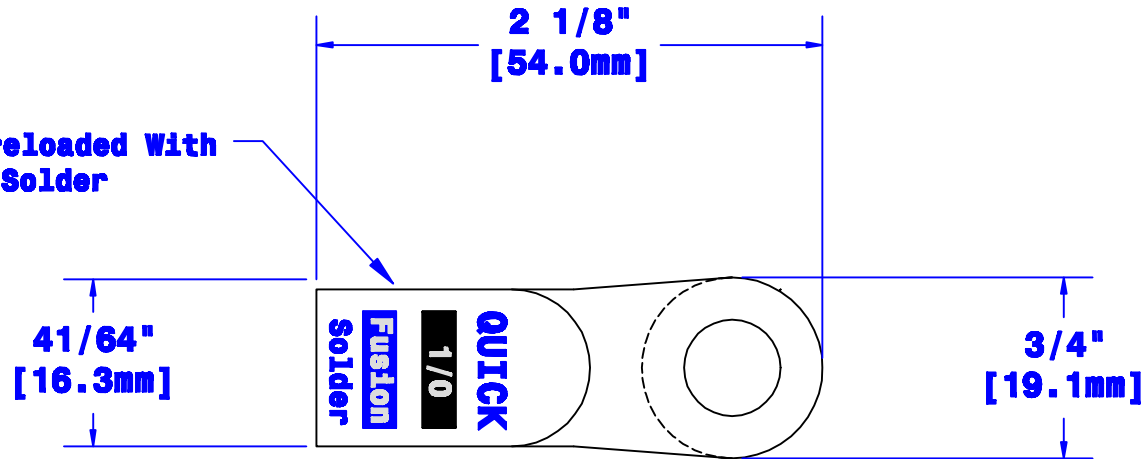


Barrel Preloaded With Flux and Solder



Property of QUICK CABLE	TITLE Die Cast Lug 1/0 for 3/8" Stud [50mm ²] [M10]	
	PART # 486310F	
3700 Quick Dr. Franksville WI	Drawing #	REV
Material & Treatment High Conductivity Copper Alloy Tin Plated	486310F-Info	A
Sheet 1 of 1		

Drawn By	Date	Checked By	Scale
Jim H	8-30-04	Mike E	None
Tolerances, unless otherwise noted			
Dimensions are reference only			
Rev	Date	ECN#	Description
A	08-02-06	1044	JMH Reverse taper on stud hole