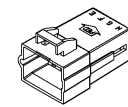
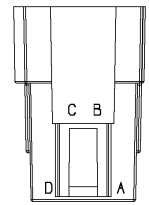
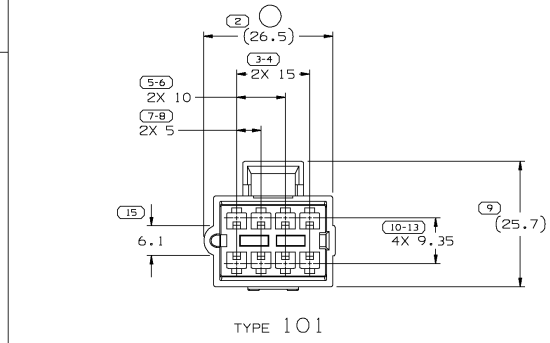
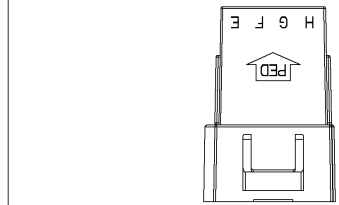
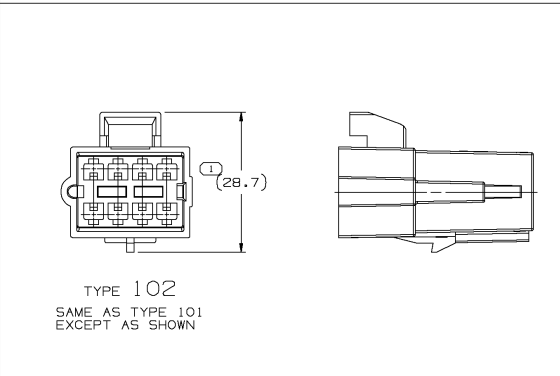
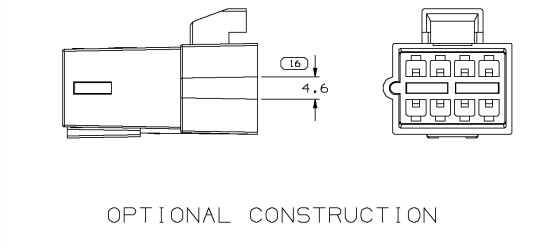


12 11 10 9 8 7 6 5 4 3 2 1

SYMBOL DEFINITION				MISSING NUMBERS		DWG STATUS			REVISION HISTORY			AUTH DR CK APVD							
DATE	STG	REV	CHG	N/P	ZONE	DATE	STG	REV	CHG	N/P	ZONE	DATE	STG	REV	CHG	N/P			
25AP00	R	001	-	-								201175	RGT	RCH	JA				
25AP00	R	002	-	-								15393157	-	RELEASED		000005	RGT	RCH	JA



NOTES:

- UNLESS OTHERWISE SPECIFIED AND/OR INDICATED: DIMENSIONS ARE TO FACE OF VIEW SHOWN AND AUTOMATICALLY ROUNDED BY COMPUTER FOR INSPECTION. (SEE MATH MODEL FOR PRECISE DIMENSIONS.) FOR ALL OTHER DIMENSIONS NOT SHOWN BUT REQUIRED FOR TOOL BUILD, SEE MATH MODEL FOR PRECISE TOOL PATH DATA.
- MATING COMPONENTS OR EQUIVALENT: CONNECTOR SEE CHART
- THIS PART ACCEPTS THE FOLLOWING COMPONENTS OR EQUIVALENT: CAVITIES TO ACCEPT 12020116 TERMINAL SECONDARY TERMINAL LOCK 12065141 CONNECTOR POSITION ASSURANCE LOCK 12052834

PART NO	STG	REV	N/P	STATUS	TYPE	MATERIAL SPECIFICATION AND COLOR	MATING CONNECTOR	VOL	CM ³
15393157	R	001			101	R0071784 PA66 HS IM-GRA MD	12162066	6.823	
15358651	R	A3			102	R0071754 PA66 HS IM-BLK	12064998	6.874	
12110214	R	B3			101	R0071782 PA66 HS IM-YEL	12110216	6.823	
12066195	R	D3			101	R0071754 PA66 HS IM-BLK	12064998	6.823	

(14) PROCESS SENSITIVE DIMENSION
DIMENSIONS ENCLOSED IN () INDICATE REFERENCE DIMENSIONS AND NO TOLERANCE LIMITS ARE ESTABLISHED

DELPHI
Automotive Systems

MATERIAL SPEC SEE CHART	DIMENSIONAL RANGE (MM) CHART E
	FROM 0 TO 10 20 30 70 100
	> 20 > 30 > 70 > 100
	TOLERANCE UNLESS OTHERWISE SPECIFIED
	±0.15 ±0.21 ±0.31 ±0.41 ±0.51
	ANGULAR TOLERANCE ± 2°

PART DRAWING

CODE NUMBER 6900	DWG DATE 04MY90	SCALE 2:1
OC SPEC	STYLE	VOLUME cm ³ SEE DWG

DISTR CODE D

PART GEOMETRY 3D SOLID

UNLESS OTHERWISE SPECIFIED:
PERFECT FORM REQUIRED FOR FEATURES OF SIZE AT MMC. TRUE POSITION TOLERANCES AND RELATED DATUMS APPLY AT CONDITION OF SIZE INDICATED IN FEATURE CONTROL FRAME. ALL OTHER GEOMETRIC TOLERANCES AND RELATED DATUMS APPLY RFS. SEPARATE TRUE POSITION CALLOUTS MAY BE GAGED SEPARATELY, REGARDLESS OF DATUM REFERENCE.

UG	CHANGE RESTRICTED NO MANUAL CHANGES
----	-------------------------------------

REFERENCE 001,701	OR	DATE
APVD1 M. PADILLA		10JL98
APVD2 G. MACIAS		10JL98
APVD3		
APVD4		
APVD5		

METRIC UNLESS OTHERWISE SPECIFIED, ALL DIMENSIONS ARE IN MILLIMETERS

THIRD ANGLE PROJECTION

COPY OF MATH DATA DO NOT SCALE

DRAWING NAME TAXI CONN 8M M/P 280

SHEET NUMBER 1 OF 1	DRAWING NUMBER 12103443	DWG STATUS R 002	SIZE A1
---------------------	-------------------------	------------------	---------

12 11 10 9 8 7 6 5 4 3 2 1