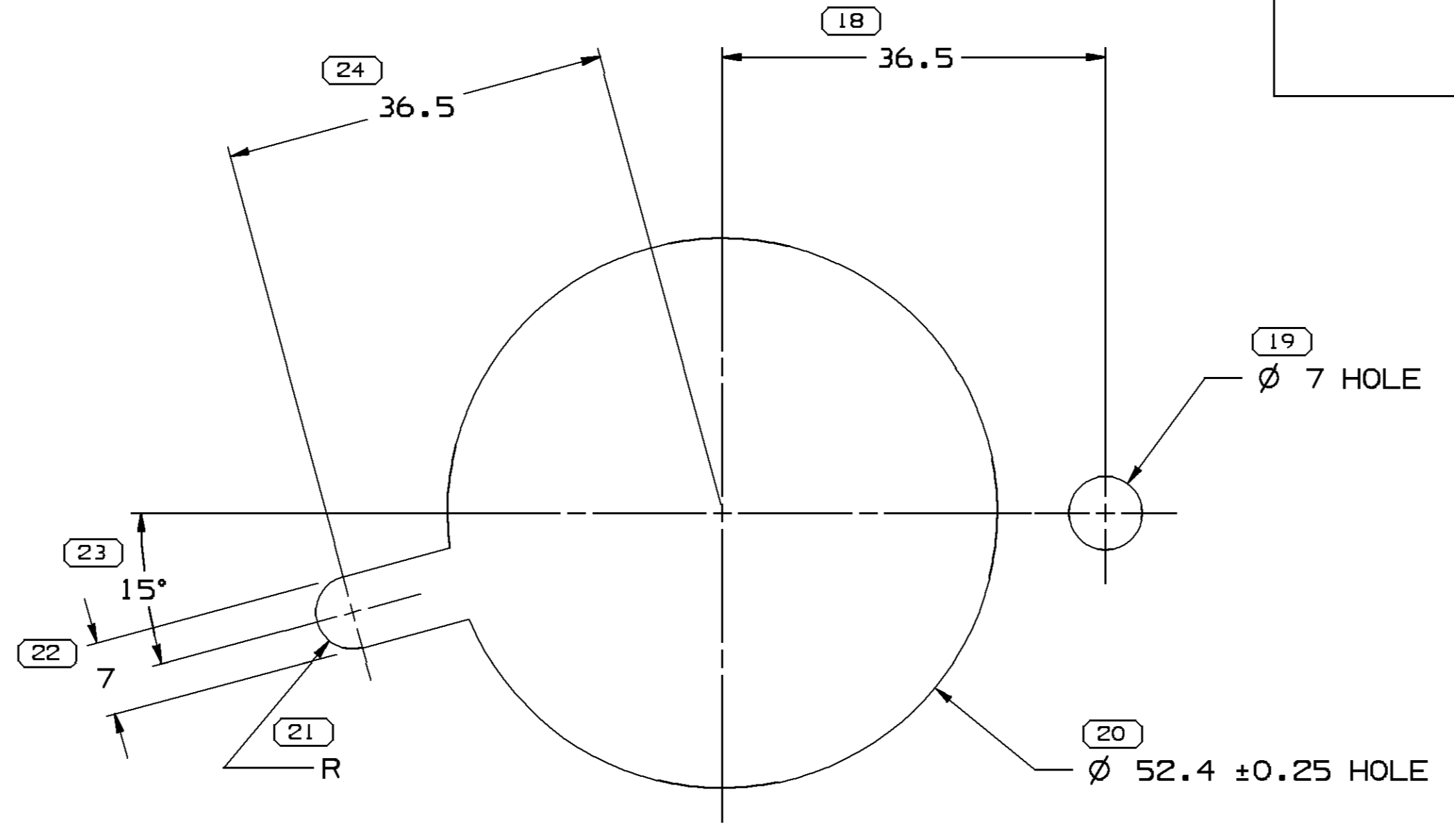
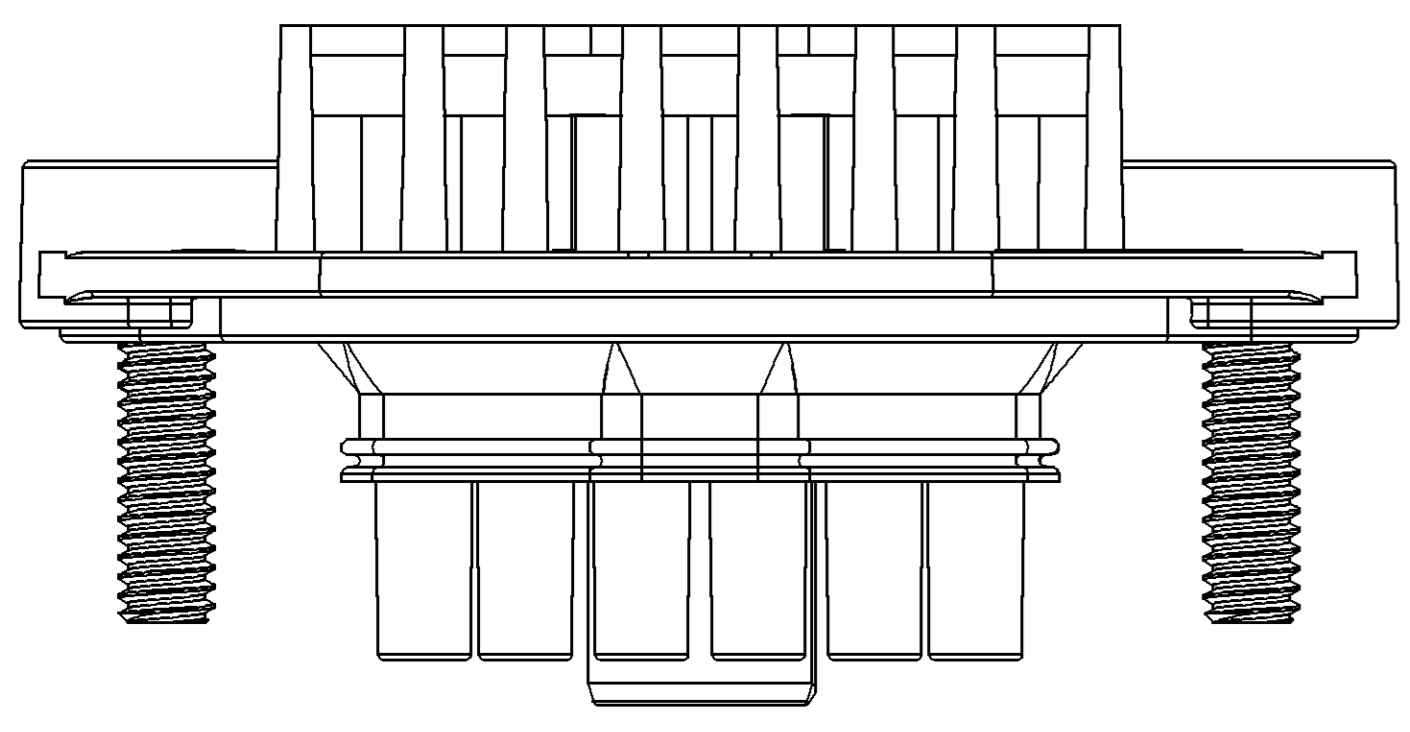
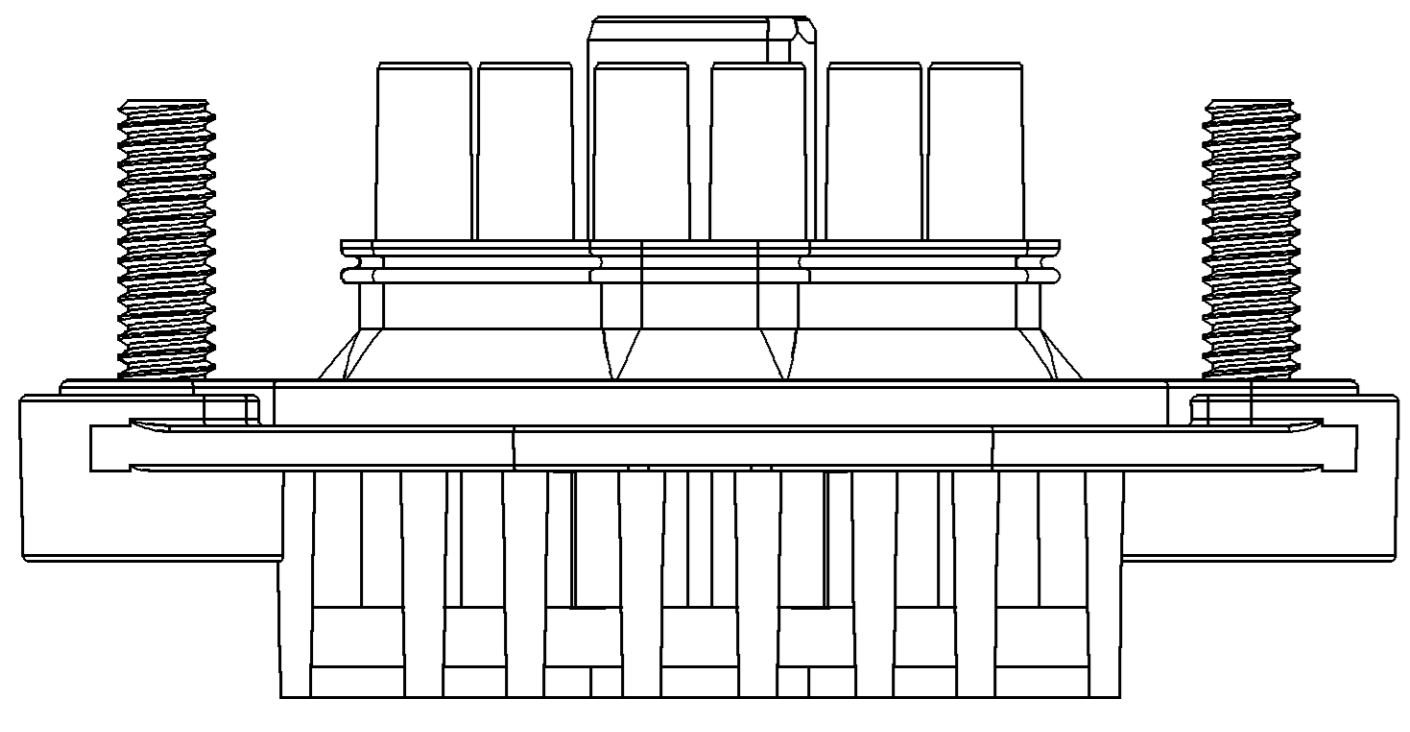
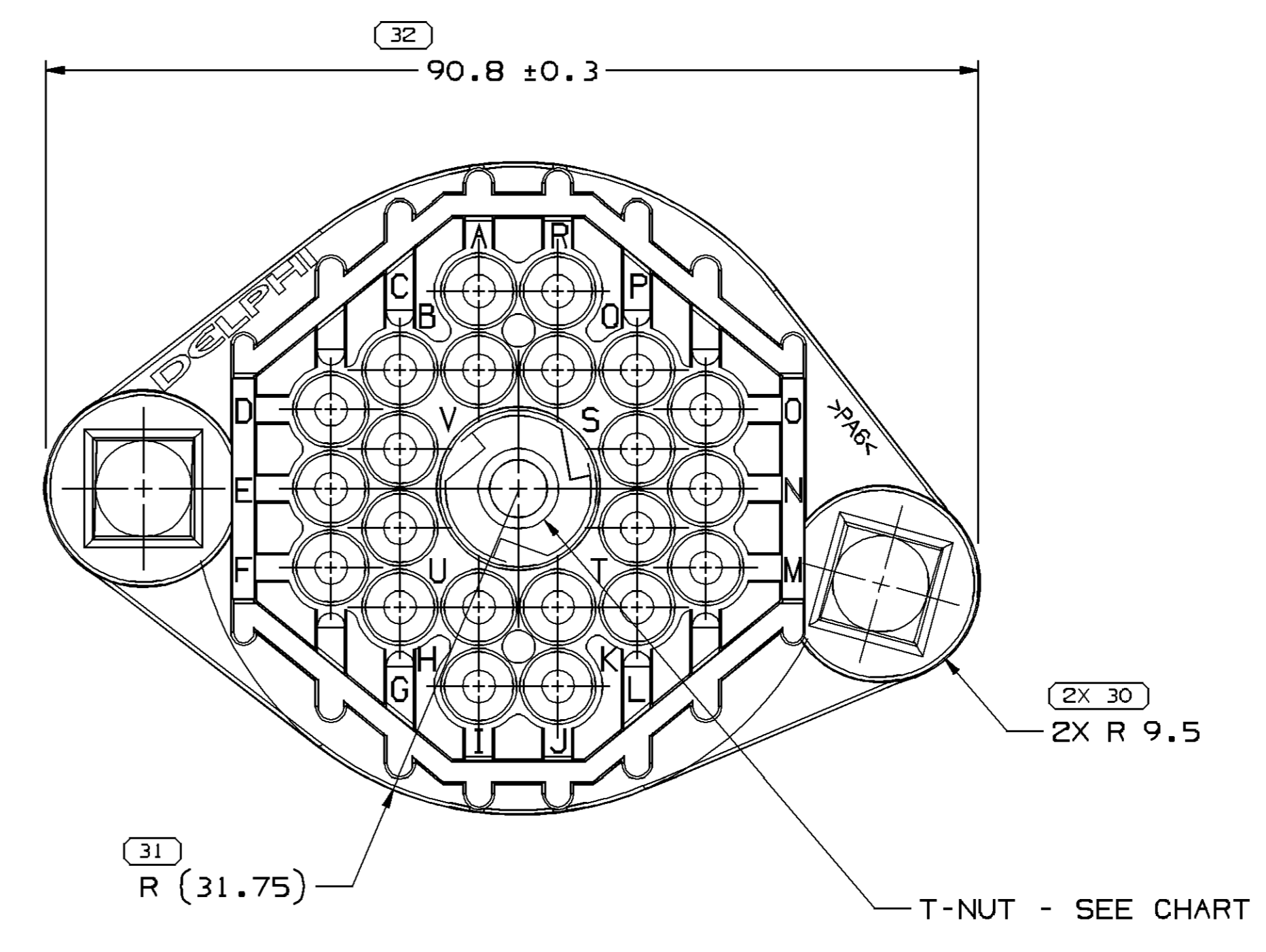
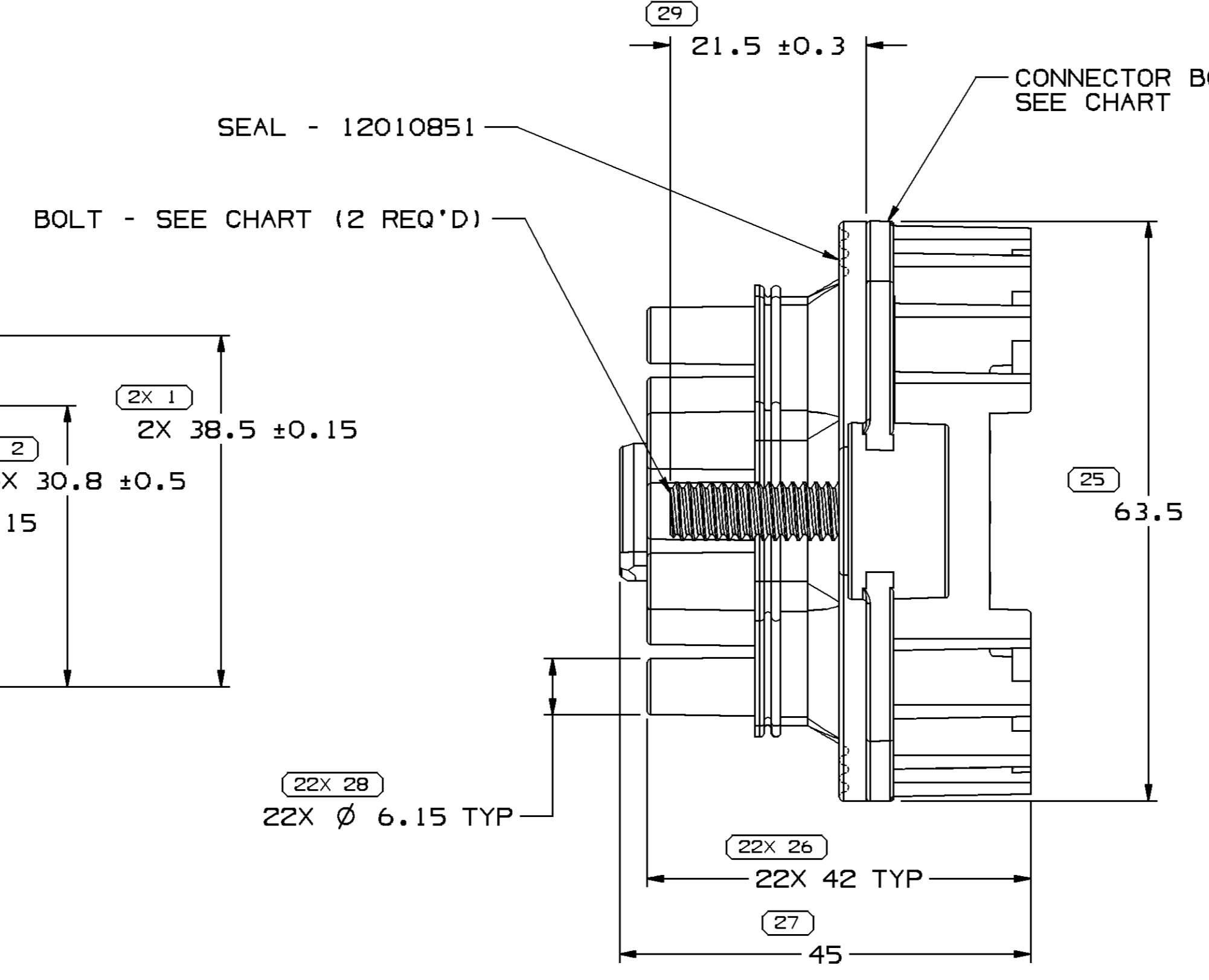
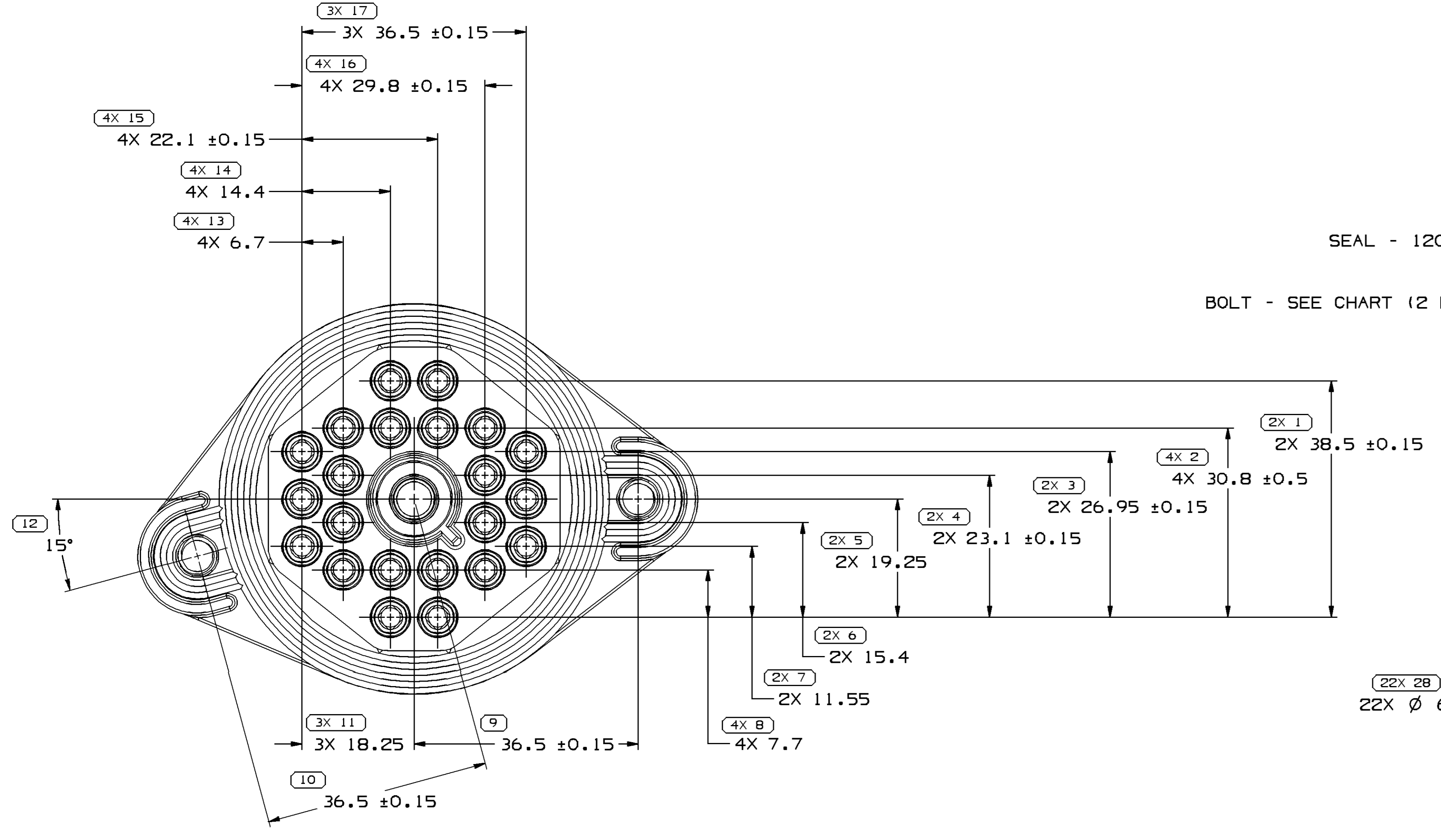


SYMBOL DEFINITION		TOTAL NO OF INSPECTIONS REQUIRED	103
A DIMENSION WITHOUT AN INSPECTION REPORT SYMBOL DOES NOT REQUIRE INSPECTION. IT MAY BE CONTROLLED ON THE INDIVIDUAL COMPONENT DRAWING.		LAST NO. USED	32

MISSING SYMBOLS				REVISION HISTORY		AUTH	DR	AP/VD
DATE	STG	REV	N/P	CHG	ZONE			
23M104	R	01	-	-		CLEARED REV COLUMN AND REDRAWN TO PD: 1202091 & 12089077 - RESTRICTED; 15492531 & 15492584 - RELEASED	255769	JBD/JAA/MGR
180005	R	02	-	-		12089077 - OBSOLETE	273276	JTV/AUG/MGR
03N005	R	03	-	-		1202091 - OBSOLETE	273752	CCV/JVM/MGR
23M106	R	04	-	-		15492531 AND 15492584 - UPDATED PDM ATTRIBUTES	280589	JTZ/JAA/WTM
05DE06	R	05	-	-		15492584 & 15492531 - COLOR REMOVED FROM CHART	287527	RJD/RJD/TM

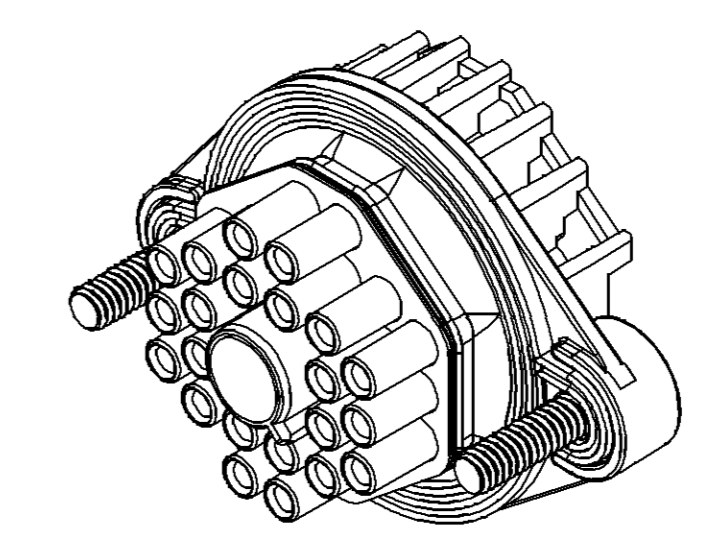


MOUNTING HOLE
VIEW FROM ENGINE COMPARTMENT
INSPECTION SYMBOLS SHOWN IN THIS VIEW ARE FOR REFERENCE ONLY



NOTES

- UNLESS OTHERWISE SPECIFIED AND/OR INDICATED:
DIMENSIONS ARE TO FACE OF VIEW SHOWN AND AUTOMATICALLY ROUNDED BY COMPUTER FOR INSPECTION (SEE MATH MODEL FOR PRECISE DIMENSIONS). FOR ALL OTHER DIMENSIONS NOT SHOWN BUT REQUIRED FOR TOOL BUILD, SEE MATH MODEL FOR PRECISE TOOL PATH DATA.
- NUT MUST NOT ROTATE IN CONNECTOR BODY WHEN ASSEMBLED WITH MATING CONNECTOR USING A TORQUE OF 13.6 NEWTON-METERS.
- MATING CONNECTOR ASSEMBLY - SEE CHART.
- PUSH OUT OF BOLTS FROM CONNECTOR TO BE 53 NEWTONS MIN.
- USE CABLE SEAL 12015323 OR EQUIVALENT.
- SEALING CODE 3 - DESIGN WILL PASS SALT FOG AND IMMERSION TEST AFTER CONDITIONING AS SPECIFIED IN ESA-644 (WEATHER-PACK), ESA-710 (METRI-PACK), ESA-650 (UNDERHOOD MICRO-PACK), C-4006 (WORLD CONNECTOR), ETC WHEN MATED TO MATING PART OR EQUIVALENT.
- USE FEMALE TERMINAL 12034051 OR EQUIVALENT FOR "IN-LINE" APPLICATIONS. USE MALE TERMINAL 12033674 OR EQUIVALENT FOR "PANEL MOUNT" APPLICATIONS.
- CONNECTOR TO ACCEPT 12010852 SECONDARY LOCK (2 REQ'D) OR EQUIVALENT.
- THE T-NUT MUST WITHSTAND A MINIMUM PUSH OUT FORCE OF 980 NEWTONS (220 POUNDS).



PART NO	REV	N/P	STATUS	CONN BODY & COLOR	BOLT	T-NUT	MATING CONNECTOR
15492584	01	AB	-	12089076	15492507	15492503	1207737B
15492531	01	AB	-	12020985	15492507	15492503	12020005
12089077	A2	-	OBSOLETE	12089076 - NATURAL	08917392	06288940	1207737B
12020991	A2	-	OBSOLETE	12020985 - BLACK	08917392	06288940	12020005

DIMENSIONAL RANGE (MM)		CHART	ET
FROM	> 0	> 30	> 100
TO	20	70	100
	100	150	200
	200	250	300
	300	400	

DELPHI
DELPHI PACK/ARD ELECTRIC SYSTEMS
WARREN, OH

DR	DATE
APV01 J. HOUGELMAN	095E8B
APV02 F. HESTON	135E8B
APV03 R. G. C.	155E8B
APV04	
APV05	

THIS DOCUMENT IS IN ACCORDANCE WITH ASME Y14.5M-1994 AS MODIFIED BY THE IN-SITU DIMENSIONING AND TOLERANCE ADDENDUMS. SEPARATE MATINGS OR FEATURES MAY BE BASED SEPARATELY PER DELPHI 1094001 REFERENCES.

ALL DIMENSIONS ARE IN MILLIMETERS

UNLESS OTHERWISE SPECIFIED

THIS DOCUMENT IS IN ACCORDANCE WITH ASME Y14.5M-1994 AS MODIFIED BY THE IN-SITU DIMENSIONING AND TOLERANCE ADDENDUMS. SEPARATE MATINGS OR FEATURES MAY BE BASED SEPARATELY PER DELPHI 1094001 REFERENCES.

ALL DIMENSIONS ARE IN MILLIMETERS

REFERENCE

THIRD ANGLE PROJECTION

DO NOT SCALE

USE MATH DATA

SCALE: 2:1

FRAME NO: 1 OF 1

SHEET NO: 1 OF 1

REV: R 05

DRAWING NUMBER: **12089253**

DRAWING NAME: TAXI ASM CONN F W/P TWR SLD