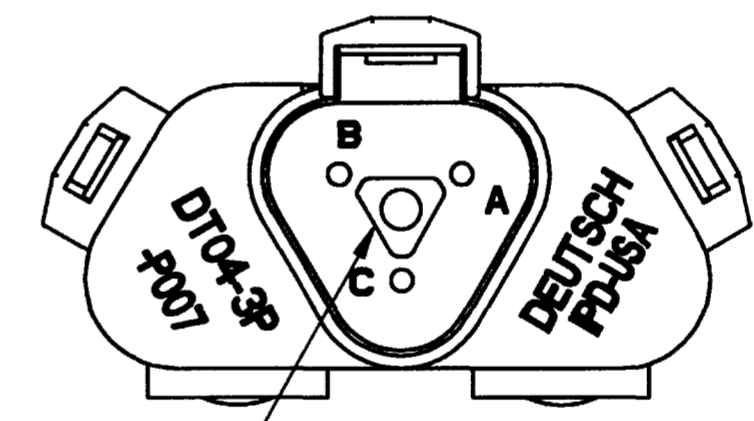
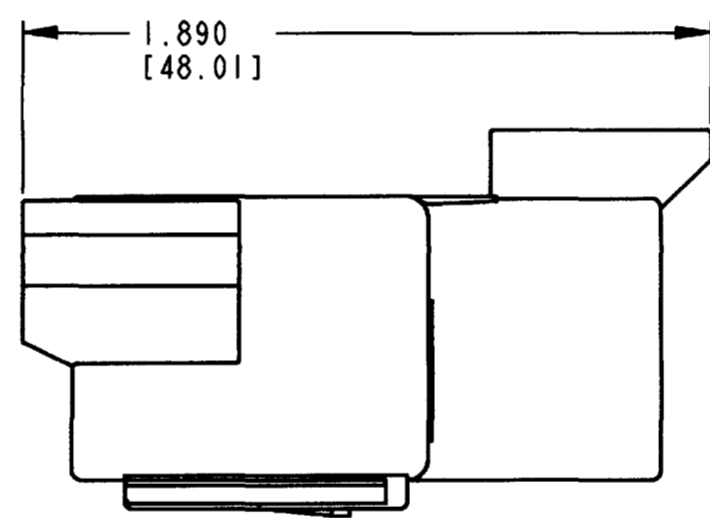
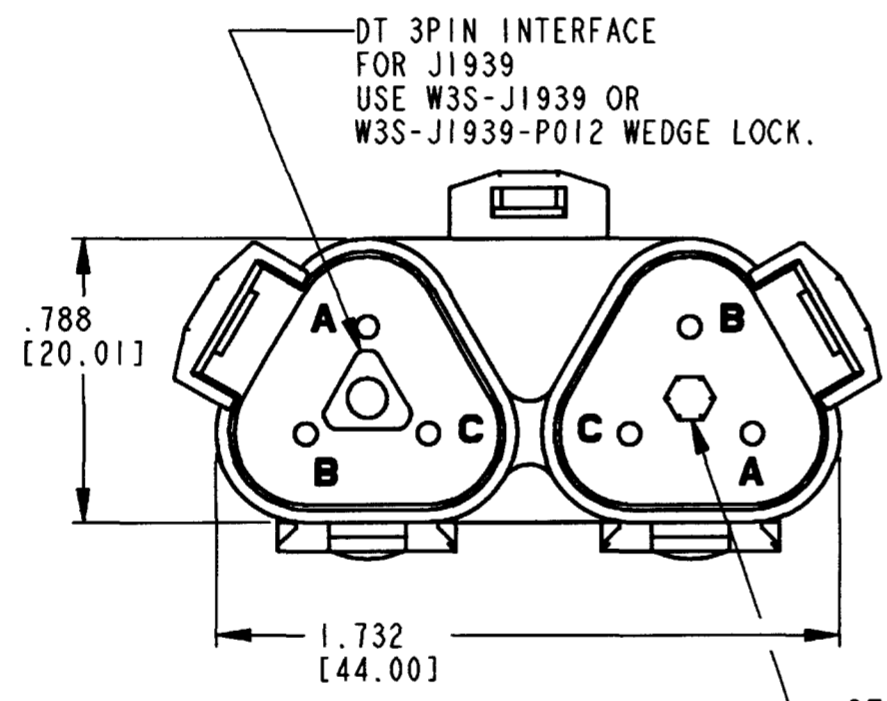


REV
B DT04-3P-P007

REVISIONS			
SYM	DESCRIPTION	DATE	APPROVED
NC	NEW RELEASE PER E.O. A14887	17/08/95	R.D.R
A	MODIFIED PER E.O. A14945	12/28/95	R.D.R
B	REVISED PER E.O. P17144	2-27-01	RDR



DT 3PIN INTERFACE FOR J1939
USE W3S OR W3S-P012 WEDGE LOCK.

DT 3PIN INTERFACE
FOR J1939
USE W3S-J1939 OR
OR W3S-J1939-P012 WEDGE LOCK.

- NOTES:
1. ALL DIMENSIONS ARE $\pm .025$ [0.63] UNLESS OTHERWISE SPECIFIED.
 2. ALL DIMENSIONS ARE INCHES (MILLIMETERS).
 3. CONSULT FACTORY FOR SPECIFICATIONS.
 4. THIS RECEPTACLE MATES WITH THE DT06-3S-E008 PLUG. SEE NOTES FOR APPROPRIATE WEDGE LOCK.

SIGNATURE & DATE	
DR	C. WOODRUFF 17AUG95
CHK	R. Polinski 2/27/01
PE	T. J. [unclear] 2/26/01
APPD	S. Blend 2-26-01
SCALE	NONE WT

3 WAY 'T' RECEPTACLE
-P007 MOD.
DT SERIES

ENVELOPE

CP	MATL CODE
The Deutch Company DEUTSCH I.P.D. 3850 INDUSTRIAL AVE. HEMET, CALIF. 92545	
B	DT04-3P-P007
DWG SIZE	CODE 11139 SHEET OF