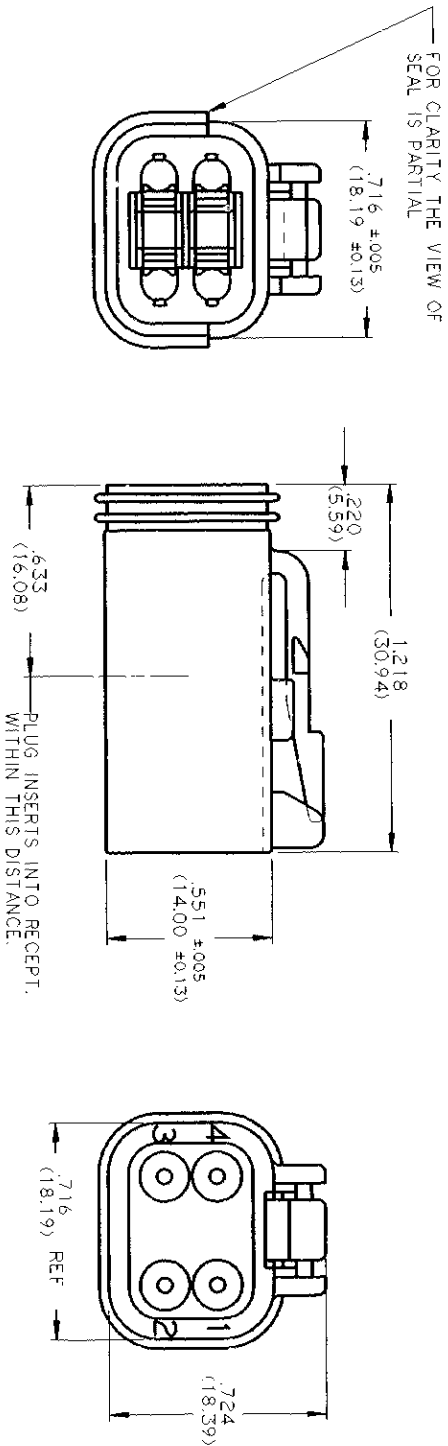


REVISIONS				
REV	SYM	DESCRIPTION	DATE	APPROVED
B		NEW RELEASE PER E.O. A092286	12/5/89	J.A.
A		NEW RELEASE PER E.O. A09335	9/6/90	J.A.
B		NEW RELEASE PER E.O. P15019	4-4-96	ADD



- NOTES:
1. ALL DIMENSIONS ARE IN INCHES (METRIC).
 2. ALL DIMENSIONS ARE ±.025 (0.63) UNLESS OTHERWISE SPECIFIED.
 3. CONSULT FACTORY FOR CONTACT SPECIFICATION AND APPLICATION.
 4. FOR MORE INFO SEE ENVELOPE DWG.0425-017-0000 AND 0425-015-0000.

SIGNATURE & DATE		DATE	
DR	C. WOODRUFF	13 JUL 90	
CHK			
PE			
APPD			
SCALE	NONE	WT	
4 WAY PLUG D.T. SERIES		ENVELOPE	
The Deutsch Company DEUTSCH I.P.D. 3740 INDUSTRIAL AVE. HEMET, CALIF. 92343		CP	MATE
DT06-4S		CODE	SHEET 1 OF 1