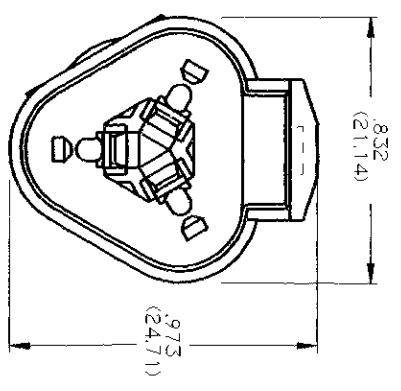
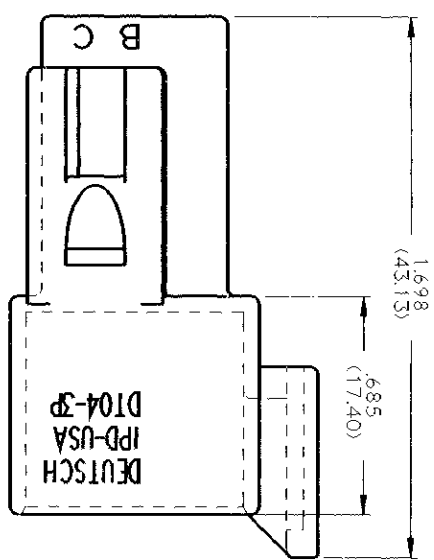
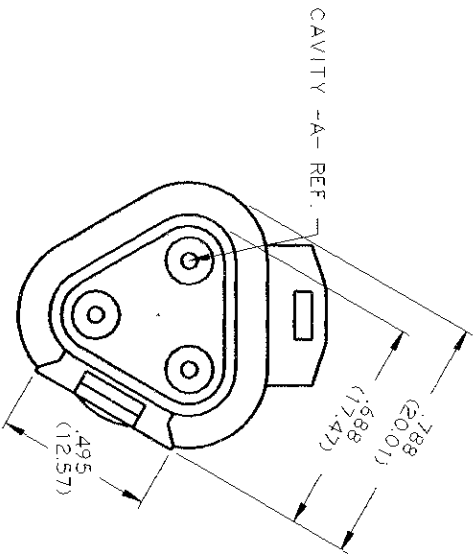


| REV | SYM | DESCRIPTION | DATE | APPROVED |
|-----|-----|---------------------------------|--------|----------|
| C | | DT04-3P | | |
| B | | REVISED AND REDRAWN E.O. A09355 | 9/6/90 | J/A |
| C | | REVISED PER E.O. P15019 | 4-4-92 | ADP |

REVISIONS

| SYM | DESCRIPTION | DATE | APPROVED |
|-----|---------------------------------|--------|----------|
| B | REVISED AND REDRAWN E.O. A09355 | 9/6/90 | J/A |
| C | REVISED PER E.O. P15019 | 4-4-92 | ADP |



- NOTES:
1. ALL DIMENSIONS ARE IN INCHES (METRIC).
 2. ALL DIMENSIONS ARE ±0.025 (0.63) UNLESS OTHERWISE SPECIFIED.
 3. CONSULT FACTORY FOR CONTACT SPECIFICATION AND APPLICATION.
 4. THIS CONNECTOR CAN PASS THRU A ONE INCH HOLE.
 5. FOR MORE INFO SEE ENVELOPE DWG. 0425-017-0000 AND 0425-015-0000.

| SIGNATURE & DATE | |
|------------------|--------------------|
| DR | C WOODRUFF 13JUL90 |
| CHK | |
| PE | |
| APPD | |
| SCALE | NONE 1 WT |

3 WAY RECEPTACLE
D.T. SERIES

ENVELOPE

CP MAIL CODE

The Deutseh Company
DEUTSCH IPD
3740 INDUSTRIAL AVE
HENET, CALIF 92343

DT04-3P

CODE SHEET 1 OF 1