

**MCASE™ CARTRIDGE FUSES RATED 32V**

**RoHS**



**Specifications**

Voltage Rating:	32 VDC
Interrupting Ratings:	1000A @ 32 VDC
Operating Temperature Range:	-40°C to +125°C
Insertion Force:	44.1N Max. (9.9 lb.)
Extraction Force:	4N Min. (0.9 lb.)   24.5N Max. (5.5 lb)

**Ordering Information**

Part Number	Package Size
0695xxx.PX4	2000
0695xxx.L	50

**Description**

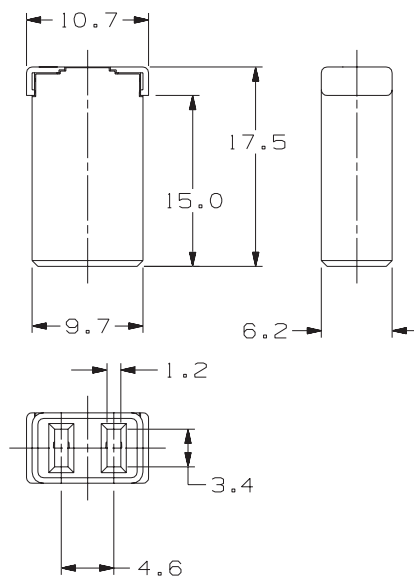
The MCASE™ is a cartridge style fuse with female terminals for 2.8 mm male terminals. It has a miniaturized footprint for optimal usage of space. It is a time delayed fuse and can handle inrush currents. MCASE™ is designed and patented by Littelfuse.

**Time-Current Characteristics**

% of Rating	Opening Time Min / Max (s)
110	100 hrs / -
135	60 s / 1800 s
200	4 s / 60 s
350	0.2 s / 7 s
600	0.04 s / 1 s

**Dimensions**

Dimensions in mm



**Ratings**

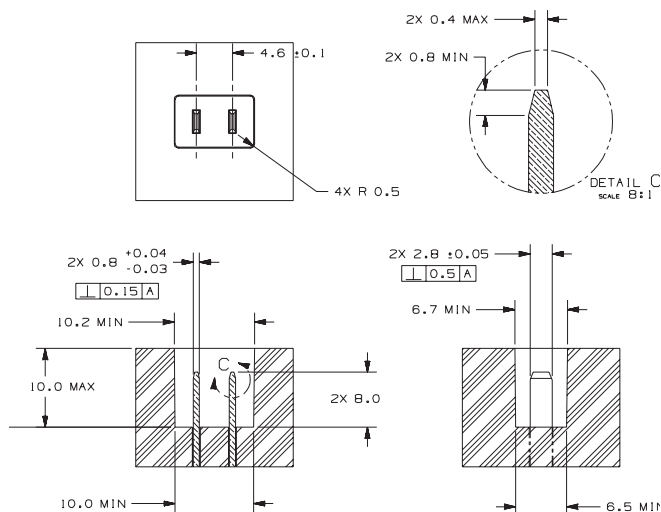
Part Number	Current Rating	Housing Color	I²t
0695015_	15 A	Grey	160 A²s
0695020_	20 A	Blue	530 A²s
0695025_	25 A	Yellow	1140 A²s
0695030_	30 A	Pink	970 A²s
0695040_	40 A	Green	2950 A²s

# MCASE™ CARTRIDGE FUSES RATED 32V

RoHS

## Dimensions

Dimensions in mm



## Time-Current Characteristics Curve

