

**MINI® Blade Fuse Rated 32V**

**RoHS**



**Specifications**

Meets SAE J2077  
ISO 8820  
UL 248 Special Purpose Fuses

**Interrupting Rating:** 1000A @ 32 VDC  
**Voltage Rating:** 32 VDC  
**Operating Temperature Range:** -40°C to +125°C  
**Terminals:** Ag plated  
**Packaging:**

| Series<br>Serien | Pack<br>Size |
|------------------|--------------|
| 0297xxx.LXN      | 50           |
| 0297xxx.WXNV     | 3000         |

Blade Fuses

The MINI® Fuse is quickly becoming the new standard for vehicle circuit protection. Its miniature design meets the need for more circuits to be protected while utilizing less space, and its ability to cope with high temperatures in adverse environments makes the MINI® Fuse the recommended choice for protection.

Die MINI®-Sicherung entwickelt sich rasch zum neuen Standard für den Schaltungsschutz in Fahrzeugen. Ihr Miniatur-Design ermöglicht es, mehr Schaltkreise bei insgesamt geringerem Platzbedarf zu schützen. Kleinste Abmessungen in Kombination mit der für raue Umgebungsbedingungen erforderlichen hohen Temperaturbelastbarkeit machen die MINI®-Sicherung besonders empfehlenswert.

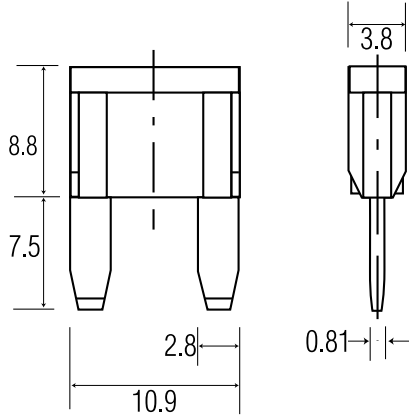
**Time-Current Characteristics / Schmelzeit-Grenzwerte**

| % of Rating<br>% des Nennstromes | Opening Time Min / Max (s)<br>Schmelzcharakteristik Min / Max (s) |
|----------------------------------|---|
| 110                              | 360,000 s / –   |
| 135                              | 0.75 s / 600 s  |
| 200                              | 0.15 s / 5 s  |
| 350                              | 0.080 s / 0.250 s   |
| 600                              | 0.030 s / 0.100 s   |

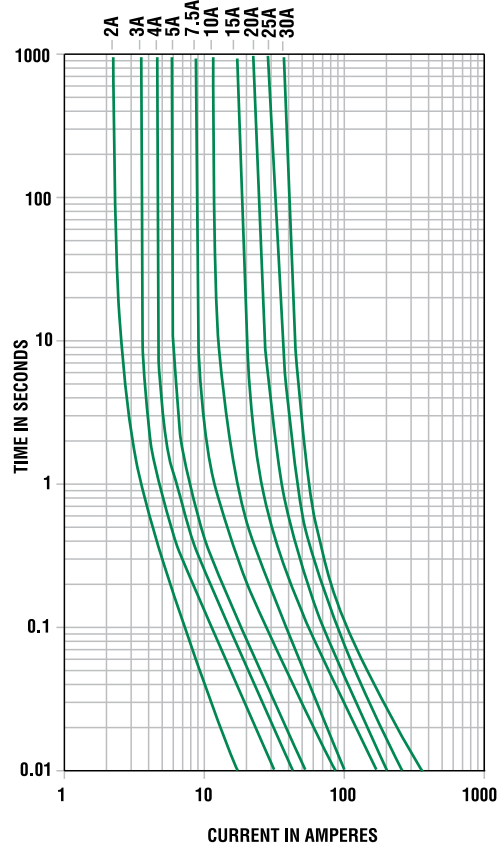
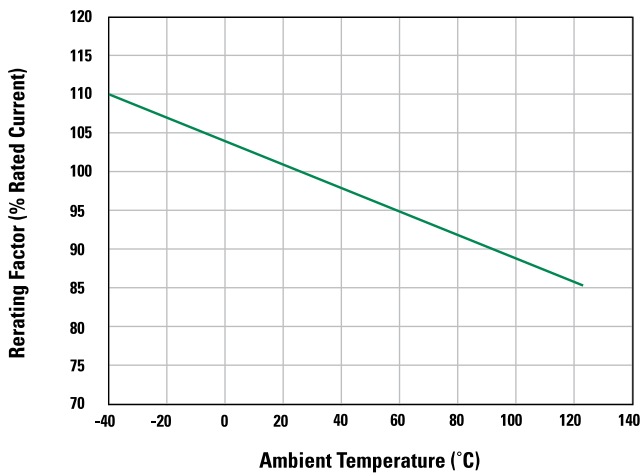
| Part Number<br>Artikel-Nr. | Current Rating<br>Nennstrom | Housing Color<br>Kennfarbe | Typ. Voltage Drop<br>Typ. Spannungsfall | Cold Resistance<br>Kaltwiderstand | I <sup>2</sup> t |
|----------------------------|-----------------------------|----------------------------|---|-----------------------------------|------------------|
| 0297002_                   | 2 A                         | Grey                       | 171 mV                                  | 55.60 mΩ                          | 2.8 A²s          |
| 0297003_                   | 3 A                         | Purple                     | 153 mV                                  | 33.75 mΩ                          | 9.4 A²s          |
| 0297004_                   | 4 A                         | Pink                       | 121 mV                                  | 23.48 mΩ                          | 17 A²s           |
| 0297005_                   | 5 A                         | Brown                      | 129 mV                                  | 17.75 mΩ                          | 25 A²s           |
| 029707.5_                  | 7.5 A                       | Dark Brown                 | 135 mV                                  | 10.85 mΩ                          | 68 A²s           |
| 0297010_                   | 10 A                        | Red                        | 108 mV                                  | 7.42 mΩ                           | 93 A²s           |
| 0297015_                   | 15 A                        | Blue                       | 98 mV                                   | 4.58 mΩ                           | 270 A²s          |
| 0297020_                   | 20 A                        | Yellow                     | 96 mV                                   | 3.21 mΩ                           | 380 A²s          |
| 0297025_                   | 25 A                        | White                      | 86 mV                                   | 2.36 mΩ                           | 625 A²s          |
| 0297030_                   | 30 A                        | Green                      | 87 mV                                   | 1.85 mΩ                           | 1130 A²s         |

## MINI<sup>®</sup> Blade Fuse Rated 32V

Dimensions in mm / Maße in mm



MINI Fuse Temperature Rerating Curve



See Section Specialty Products for Resistors, Diodes, and Shunts.