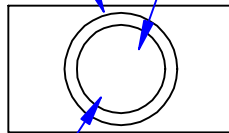


**35/64"**  
**[14mm]**  
**Dia. Ref**

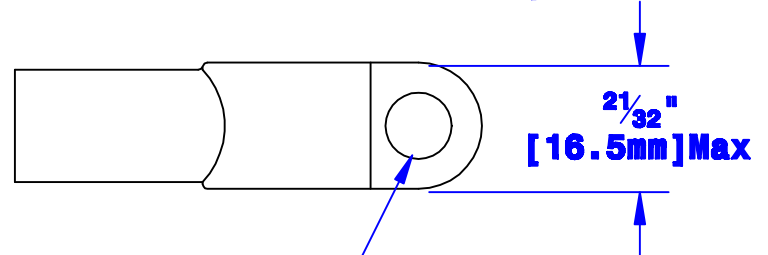
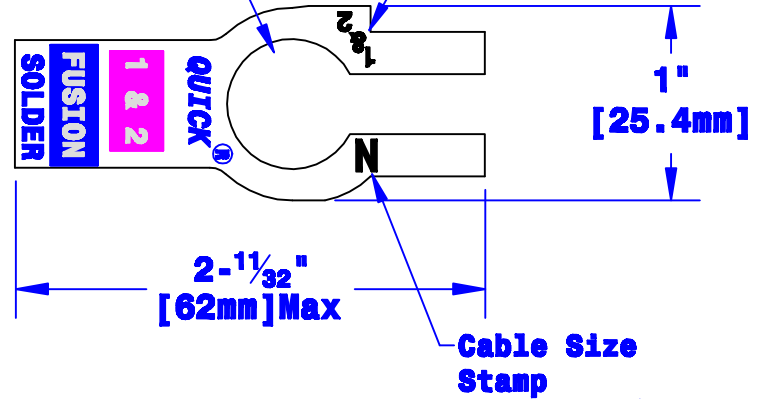
**Prefilled With  
 Rosin & Solder**



**I.D. Sized For 1 & 2 Ga  
 [40mm<sup>2</sup> & 32mm<sup>2</sup>] Stranded Cable  
 7/8" [22.2mm] Min Depth**

**Sized for Neg. Post**

**Polarity Stamp**



**Bolt Hole Sized  
 For 5/16" [M8] Bolt**

<b>Property of</b> <b>QUICKCABLE®</b> 3700 Quick Drive Franksville, WI 53126 U.S.A. www.quickcable.com	<b>TITLE</b> <b>Die Cast 1 &amp; 2 Ga.          Straight Clamp,          Fusion</b>
	<b>PART #</b> <b>406301N</b>

**Confidential and Proprietary Information**

					<b>Drawn By</b> <b>Paul</b>	<b>Date</b> <b>3-31-03</b>	<b>Checked By</b> <b>Mike E</b>	<b>Scale</b> <b>None</b>	<b>Material &amp; Treatment</b> <b>High Conductivity          Copper Alloy          Matte Tin Plate</b>	<b>Drawing #</b> <b>406301N-Info</b>	<b>REV</b> <b>A</b>
<b>Rev</b>	<b>Date</b>	<b>ECN#</b>	<b>By</b>	<b>Description</b>	<b>Tolerances, unless otherwise noted</b> <b>Dimensions are reference only</b>				<b>Sheet 1 of 1</b>		
<b>A</b>	<b>02-10-09</b>	<b>1759</b>	<b>JMH</b>	<b>Update print; remove one notch; shorten tange</b>							