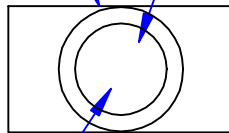


To Include:  
 5/16-18 Bolt  
 P/N 6700T  
 5/16-18 Nut  
 P/N 6701T

21/32"  
 [16.5mm]  
 Dia. Ref

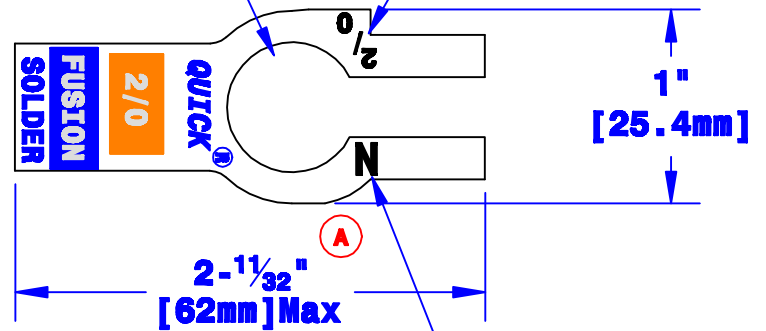
Prefilled With  
 Rosin & Solder



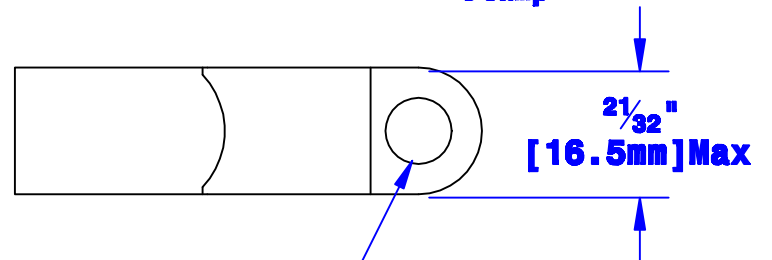
I.D. Sized For 2/0  
 [62mm<sup>2</sup>] Stranded Cable  
 7/8" [22.2mm] Min Depth

Sized for Neg. Post

Cable Size  
 Stamp



Polarity  
 Stamp



Bolt Hole Sized  
 For 5/16" [M8] Bolt

Property of <b>QUICKCABLE</b> 3700 Quick Drive Franksville, WI 53126 U.S.A. www.quickcable.com		TITLE <b>Die Cast 2/0 Ga. Straight Clamp, Fusion</b>
PART # <b>406320N</b>		
Confidential and Proprietary Information		
Material & Treatment <b>High Conductivity Copper Alloy Matte Tin Plate</b>	Drawing # <b>406320N-Info</b>	REV <b>A</b>
Sheet 1 of 1		

Rev	Date	ECN#	By	Description	Drawn By <b>JIM H</b>	Date <b>8-08-07</b>	Checked By <b>MIKE E</b>	Scale <b>None</b>	Tolerances, unless otherwise noted Dimensions are reference only
<b>A</b>	<b>02-25-09</b>	<b>1750</b>	<b>JMH</b>	Update print; remove one notch; shorten tange					