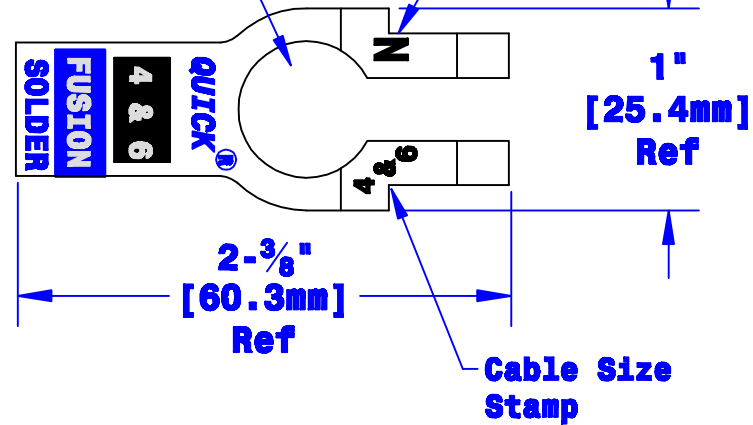


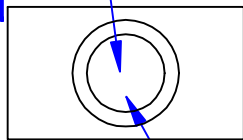
To Include:
5/16-18 Bolt
P/N 6700T
5/16-18 Nut
P/N 6701T

Sized for Neg. Post

Polarity Stamp

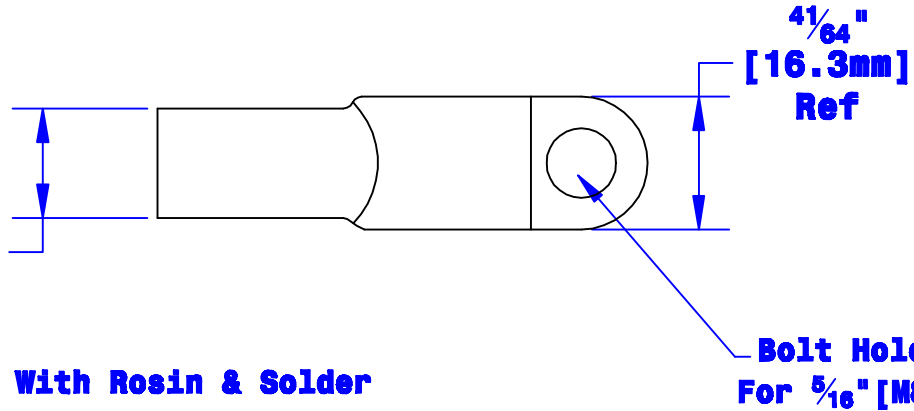


I.D. Sized For
4 & 6 Ga. [19-13mm²]
Stranded Cable,
7/8" min [22.2mm]
Depth



$\frac{7}{16}$ "
 [11.1mm]
 Ref

Prefilled With Rosin & Solder



Bolt Hole Sized
For 5/16" [M8] Bolt

| | | |
|--|--|---|
| Property of QUICK CABLE 3700 Quick Drive Frankeville, WI 53126 U.S.A. www.quickcable.com | | TITLE Die Cast 4 & 6 Ga [19-13mm²] |
| | | PART # 406304N |
| Confidential and Proprietary Information | | |
| Drawn By Jim H | | Date 8-08-07 |
| Checked By Mike E | | Scale None |
| Tolerances, unless otherwise noted Dimensions for reference only | | |
| Material & Treatment High Conductivity Copper Alloy Matte Tin Plated | | Drawing # 406304N-Info |
| | | REV 1 of 1 |

| Rev | Date | ECN# | By | Description |
|-----|------|------|----|-------------|
| | | | | |
| | | | | |
| | | | | |