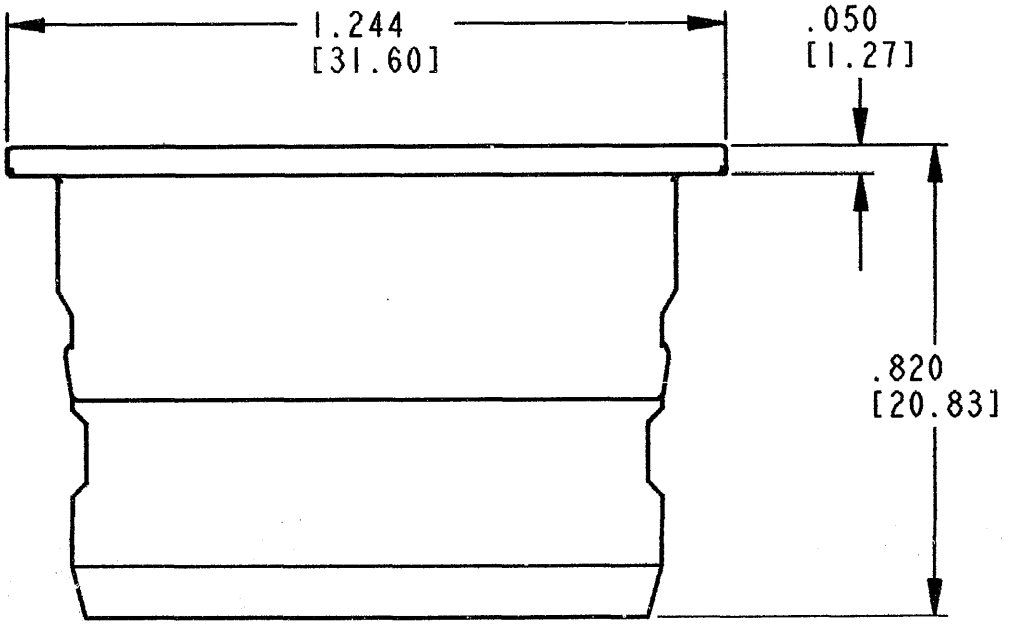
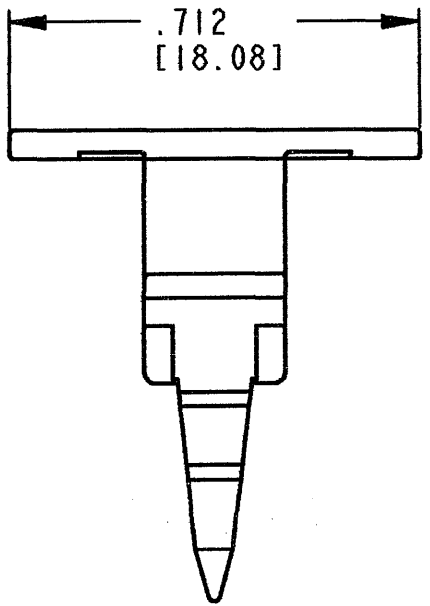
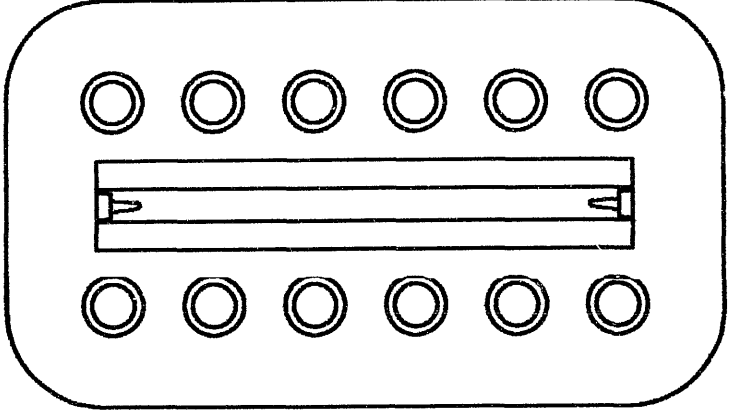


REV
E W12S

REVISIONS			
SYM	DESCRIPTION	DATE	APPROVED
B	REVISED PER E.O. P15337	6/11/97	R.D.R.
C	REVISED/REDRAWN PER E.O. P17352	7/23/01	R.D.R.
D	REVISED PER E.O. P18147	5/27/03	R.D.R.
E	REVISED PER E.O. P19120	12-16-05	ADA




- 4. COLOR: ORANGE
- 3. CONSULT FACTORY APPLICATION.
- 2. ALL DIMENSIONS ARE $\pm .025$ [0.64] UNLESS OTHERWISE SPECIFIED.

NOTES: 1. ALL DIMENSIONS ARE IN INCHES [MILLIMETERS].

SIGNATURE & DATE	
DR	X. SANCHEZ 11 JUL 01
CHK	<i>James Gonzalez</i> 12/19/05
PE	<i>Joseph Johann</i> 12/6/05
APPD	<i>S. Beaulieu</i> 12-8-05
SCALE	NONE WT _____

WEDGE LOCK
FOR
12 WAY PLUG
D.T. SERIES

ENVELOPE

CP	MATL. CODE
The Deutch Company  DEUTSCH I.P.D. 3850 INDUSTRIAL AVE. HEMET, CALIF. 92545	
B	W12S
DWG SIZE	CODE 11139 SHEET OF