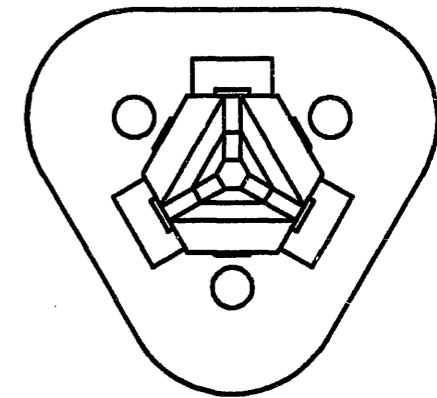
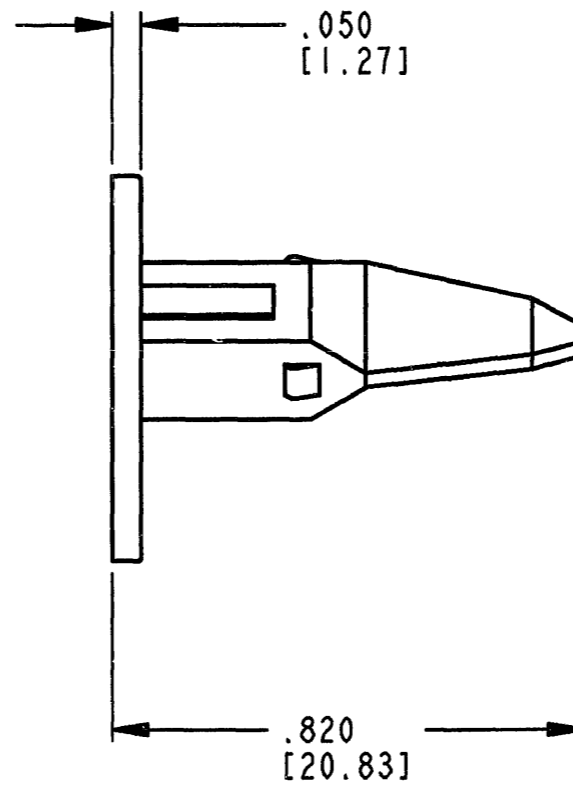
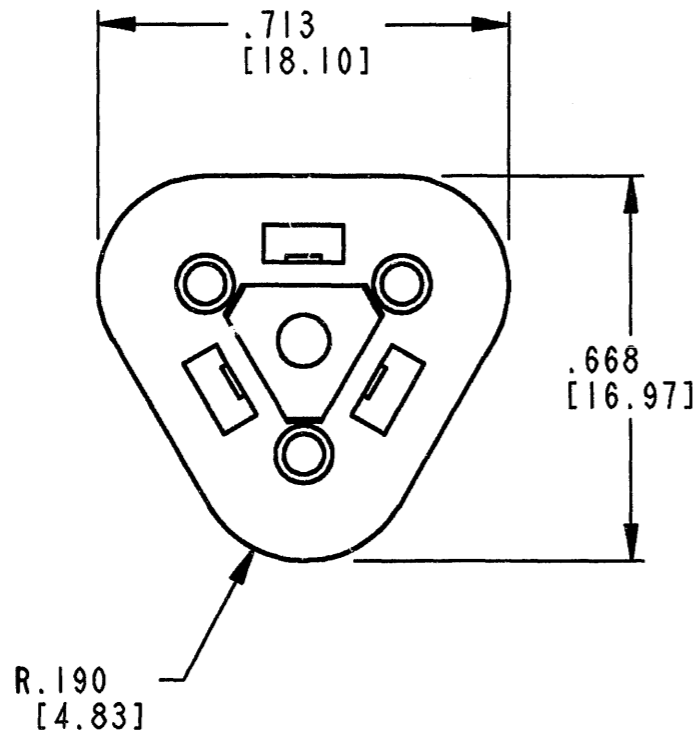


REV
C W35-1939

REVISIONS			
SYM	DESCRIPTION	DATE	APPROVED
NC	NEW RELEASE PER E.O. A14607		
A	REVISED PER E.O. P15222		
B	REVISED PER E.O. P16279	9-3-99	RDR
C	REVISED PER E.O. P18246	8-22-03	RDR




- 4. THIS WEDGE MAY BE USED WITH DT06-3S-**** PLUG (**** = ALL MODIFICATIONS).
- 3. CONSULT FACTORY FOR APPLICATION.
- 2. ALL DIMENSIONS ARE ±.025 [0.64] UNLESS OTHERWISE SPECIFIED.

NOTES: 1. ALL DIMENSIONS ARE IN INCHES [MILLIMETERS].

SIGNATURE & DATE	
DR	S. THEIS 8/27/99
CHK	<i>R. Kelnick</i> 8/19/03
PE	<i>Tracy Salom</i> 7/28/03
APPD	<i>S. Bend</i> 8-6-03
SCALE	NONE WT _____

KEYED WEDGE LOCK
FOR 3 WAY PLUG
COLOR: BLUE
DT SERIES

ENVELOPE

CP	MATL. CODE
The Deutch Company  DEUTSCH I.P.D. 3850 INDUSTRIAL AVE. HEMET, CALIF. 92545	
B	W35-1939
DWG SIZE	CODE 11139 SHEET OF