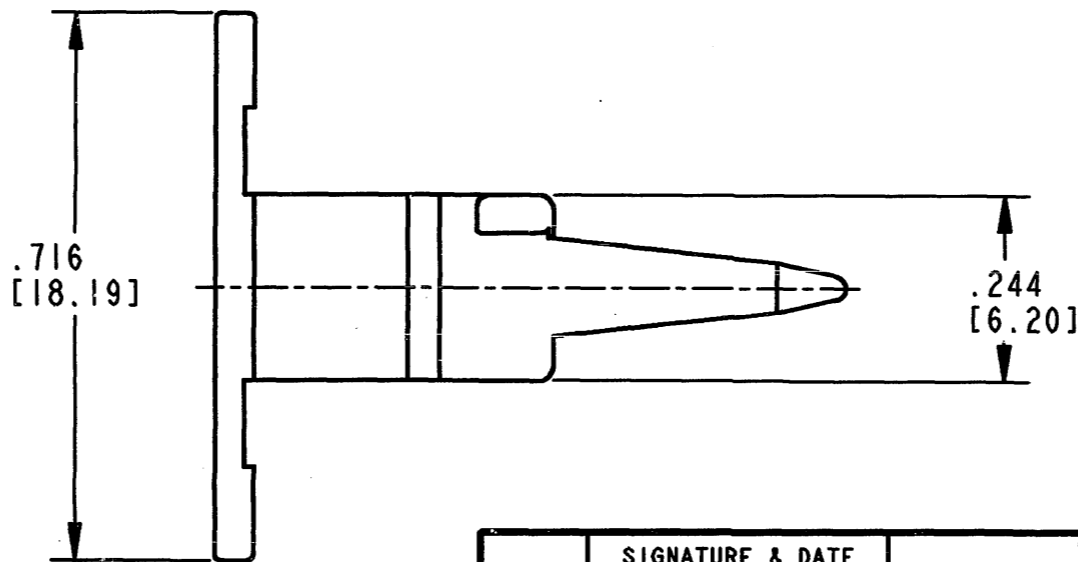
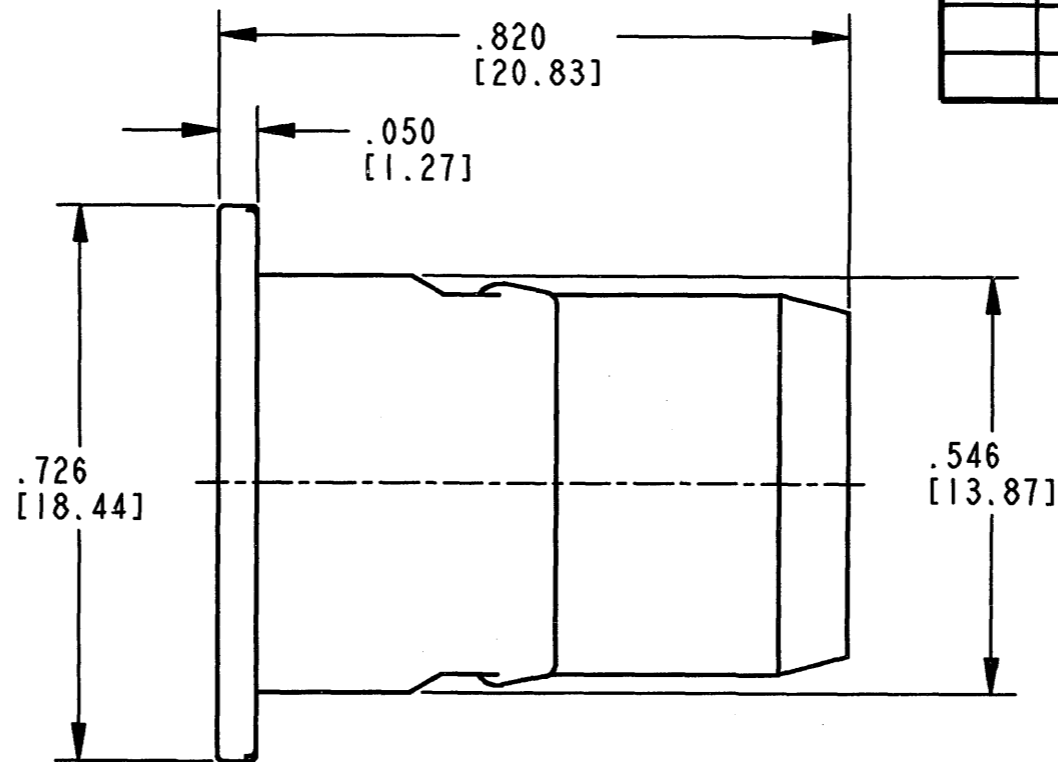
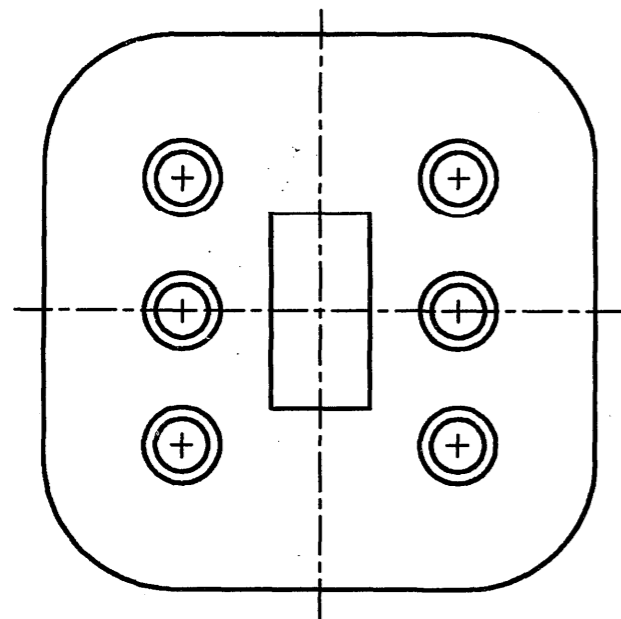


REV
A
W6S

| REVISIONS | | | |
|-----------|-----------------------------|----------|----------|
| SYM | DESCRIPTION | DATE | APPROVED |
| NC | NEW RELEASE PER E.O. A09299 | 2/12/90 | J.A. |
| A | REVISED PER E.O. P17509 | 11-28-01 | RDR |
| | | | |
| | | | |



- 4. W6S WEDGE USED WITH DT06-6S PLUG.
- 3. CONSULT FACTORY FOR APPLICATION.
- 2. DIMENSIONS ARE $\pm .025$ [.64] UNLESS OTHERWISE SPECIFIED.

NOTES: 1. ALL DIMENSIONS ARE IN INCHES [MILLIMETERS].

| SIGNATURE & DATE | |
|------------------|----------------------|
| DR | X. SANCHEZ 07NOV01 |
| CHK | A. Polinski 11/26/01 |
| PE | [Signature] 11/14/01 |
| APPD | SBland 11-14-01 |
| SCALE | NONE WT _____ |

WEDGE LOCK
FOR
6 WAY PLUG
COLOR; ORANGE
DT SERIES

ENVELOPE

| | |
|---|-----------------------|
| CP | MATL CODE |
| The Deutsch Company DEUTSCH I.P.D. 3850 INDUSTRIAL AVE. HEMET, CALIF. 92545 | |
| B | W6S |
| DWG SIZE | CODE 11139 SHEET OF |